

IMPORTANT NOTICE

The following document is NOT comprehensive for design, bidding, or installation when used in isolation. Please refer to all related documents in their entirety for complete information regarding this insulated glazing panels. Such documents include, but may not be limited to, Brochure, Architectural Color Chart, Technical Bulletins, Technical Data Sheets, CAD Drawings, Specifications, and Submittals. Visit LaminatorsInc.com for information on the latest documents regarding insulated glazing panels.

To consult directly with one of our Professional Engineers regarding our insulated glazing panels, contact Laminators Technical Support between the hours of 8:00am – 5:00pm EST:

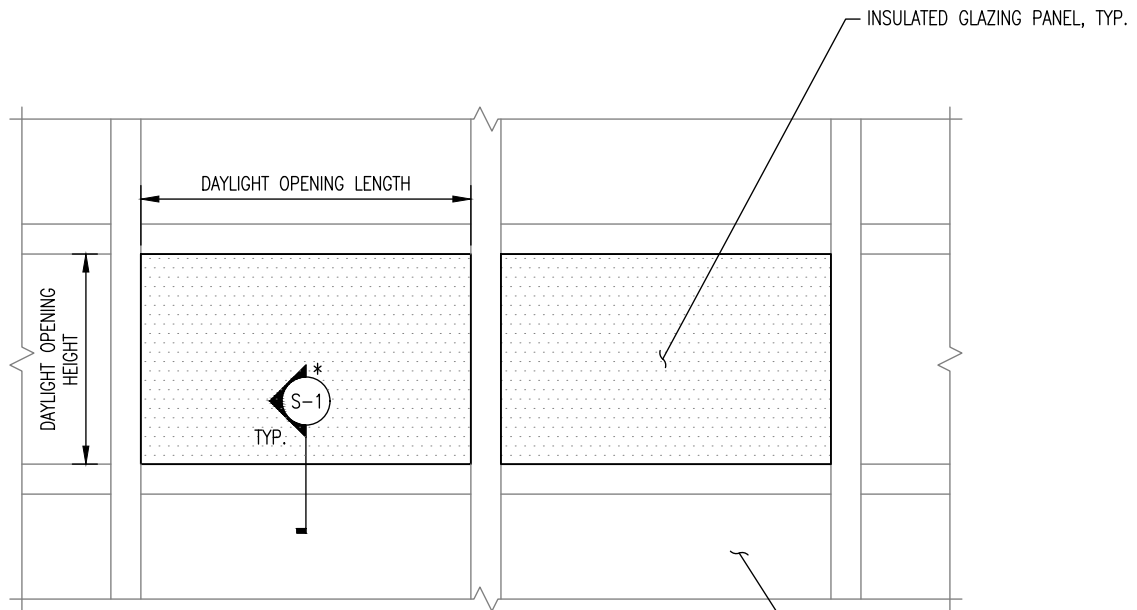
800.523.2347

LaminatorsInc.com

engineering@laminatorsinc.com

DRAWING INDEX – IGP DETAIL SET (Rev 03, 11/28/2023)

DWG NO.	TITLE	REV DATE	REV	CHANGE FROM PREVIOUS REV
EL-1.0	Overall Panel Elevation	11/28/2023	03	Hairline joint requirements moved to EL-2.0
EL-2.0	Panel Elevation – Hairline (Butt-Glazed) Joints	11/28/2023	00	Hairline joint requirements clarified
S-1.1	Thermolite Panel – Glazing Pocket Detail	10/19/2021	01	
S-1.2	Thermolite WE Panel – Glazing Pocket Detail	10/19/2021	01	
S-1.3	Thermolite SE Panel – Glazing Pocket Detail	10/19/2021	01	
S-1.4	Thermolite U-MAX Panel – Glazing Pocket Detail	10/19/2021	01	
S-1.5	InfernoShield – Glazing Pocket Detail	11/1/2022	00	
S-2.1	Thermolite WE Panel – Hairline Joint Detail	11/28/2023	01	“Width:height” aspect ratio changed to “length:height”
S-2.2	Thermolite SE Panel – Hairline Joint Detail	11/28/2023	01	“Width:height” aspect ratio changed to “length:height”
S-2.3	InfernoShield – Hairline Joint Detail	11/28/2023	00	Option added for InfernoShield with wrapped edge



OVERALL PANEL ELEVATION

* DENOTES SECTIONS REPRESENTING MULTIPLE PANEL TYPES (EX. S-1.1, S-1.2, ETC)

GLAZING OPENING (FENESTRATION), TYP.

GENERAL NOTES AND PANEL REQUIREMENTS:

1. LAMINATORS INSULATED GLAZING PANELS CONSISTS OF THE FOLLOWING PRODUCTS: THERMOLITE, THERMOLITE WE, THERMOLITE SE, THERMOLITE U-MAX, AND INFERNOSHIELD
2. LAMINATORS INSULATED GLAZING PANELS ARE INTENDED FOR INSTALLATION INTO THIRD-PARTY WINDOW AND CURTAIN WALL SYSTEMS; LAMINATORS DOES NOT OFFER INSTALLATION SYSTEMS FOR INSULATED GLAZING PANELS
3. ALL STRUCTURAL, HYGROTHERMAL, AND FIRE PERFORMANCE REQUIREMENTS FOR THIRD-PARTY WINDOW AND CURTAIN WALL SYSTEMS ARE THE RESPONSIBILITY OF THE DESIGN PROFESSIONAL OF RECORD
4. INSULATED GLAZING PANELS SHALL BE INSTALLED SUCH THAT ALL PANEL EDGES ARE FULLY ENCAPSULATED; ENCAPSULATION MUST RESTRAIN PANEL FROM MOVEMENT FORWARD, BACKWARD, OR SIDE-TO-SIDE WHILE ALLOWING FOR THERMAL MOVEMENT
5. ALLOWABLE LOAD-CARRYING CAPACITIES FOR EACH INSULATED GLAZING PANEL TYPE ARE PROVIDED IN LAMINATORS TECHNICAL DATA SHEETS; PROJECT-SPECIFIC COMPONENTS AND CLADDING WIND LOADS (REQUIRED STRENGTH, R_d) SHALL NOT EXCEED ALLOWABLE LOAD-CARRYING CAPACITIES (AVAILABLE STRENGTH, R_n/Ω) FOR GIVEN SPANS
6. REFER TO EL-2.0 FOR HAIRLINE (BUTT-GLAZED) JOINT REQUIREMENTS



LAMINATORS
Composite Panel Solutions

www.LaminatorsInc.com

800.523.2347

OVERALL PANEL ELEVATION

INSULATED GLAZING PANELS

Date:
11/28/2023

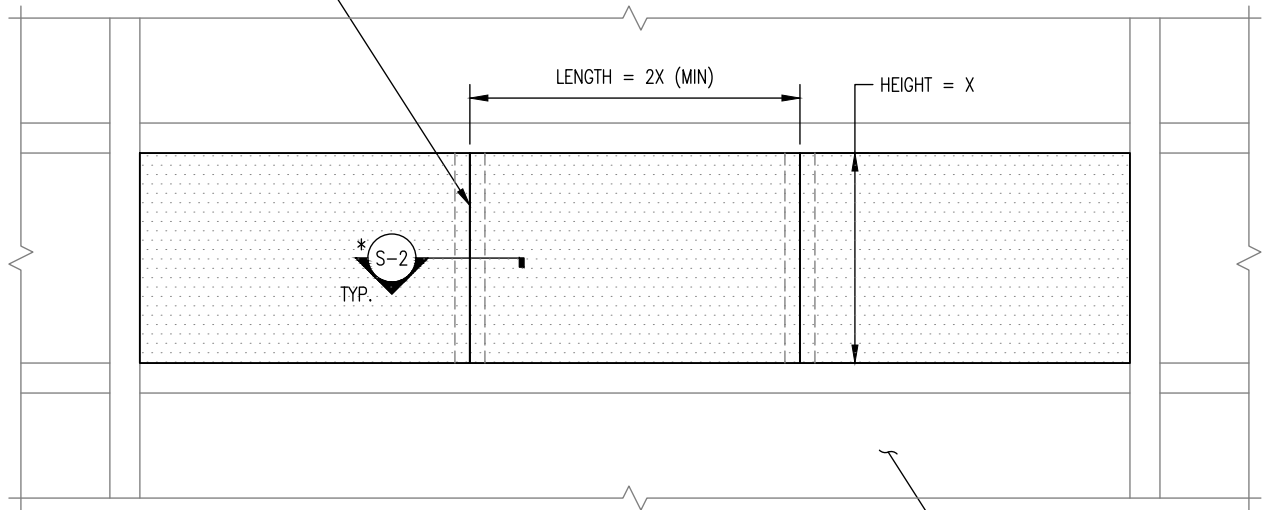
Drawn By:
JJM

Detail Set:
IGP

Dwg. No.:
EL-1.0

Rev:
03

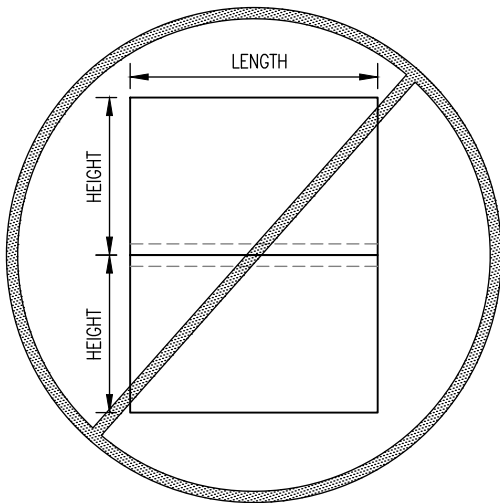
INSULATED GLAZING PANEL HAIRLINE
(BUTT-GLAZED) JOINT, TYP.



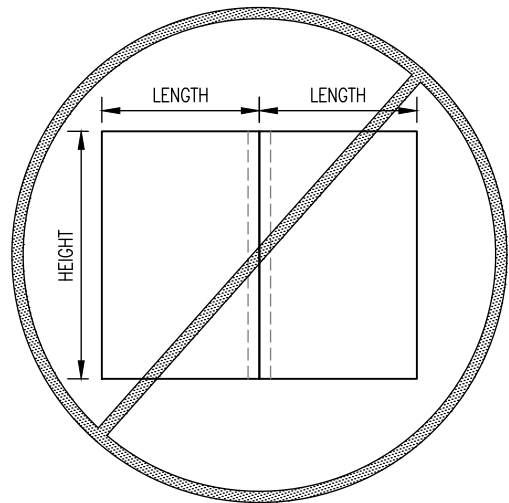
**PANEL ELEVATION
HAIRLINE (BUTT-GLAZED) JOINT**

* DENOTES SECTIONS REPRESENTING MULTIPLE
PANEL TYPES (EX. S-2.1, S-2.2, ETC)

GLAZING OPENING
(FENESTRATION), TYP.



CONDITION NOT PERMITTED



CONDITION NOT PERMITTED

HAIRLINE JOINT NOTES:

1. HAIRLINE (BUTT-GLAZED) JOINTS ONLY PERMITTED ALONG THE HEIGHT (SHORT DIMENSION) OF PANELS WITH A LENGTH:HEIGHT ASPECT RATIO OF 2:1 OR GREATER; CONTACT LAMINATORS TECHNICAL SUPPORT FOR PROJECT-SPECIFIC EXCEPTIONS AND ADDITIONAL FABRICATION CAPABILITIES
2. REFER TO NOTES ON S-2.1 THRU S-2.3 FOR ADDITIONAL REQUIREMENTS



LAMINATORS
Composite Panel Solutions

www.LaminatorsInc.com

800.523.2347

PANEL ELEVATION - HAIRLINE (BUTT-GLAZED) JOINTS

INSULATED GLAZING PANELS

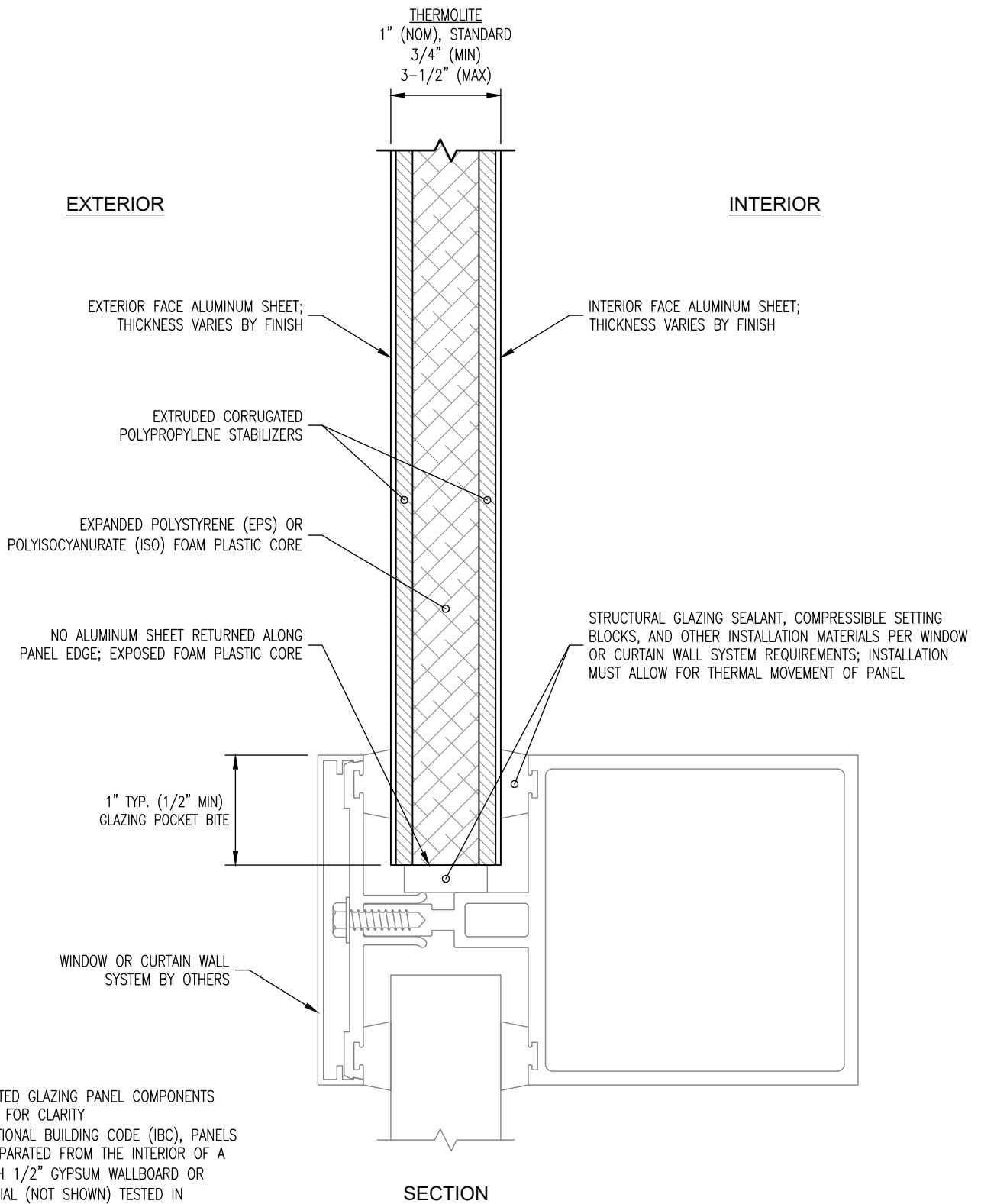
Date:
11/28/2023

Drawn By:
JJM

Detail Set:
IGP

Dwg. No.:
EL-2.0

Rev:
00



DETAIL NOTES:

1. SOME INSULATED GLAZING PANEL COMPONENTS EXAGGERATED FOR CLARITY
2. PER INTERNATIONAL BUILDING CODE (IBC), PANELS SHALL BE SEPARATED FROM THE INTERIOR OF A BUILDING WITH 1/2" GYPSUM WALLBOARD OR OTHER MATERIAL (NOT SHOWN) TESTED IN ACCORDANCE WITH AND MEETING THE ACCEPTANCE CRITERIA OF NFPA 275



LAMINATORS
Composite Panel Solutions

www.LaminatorsInc.com

800.523.2347

THERMOLITE PANEL - GLAZING POCKET DETAIL

INSULATED GLAZING PANELS

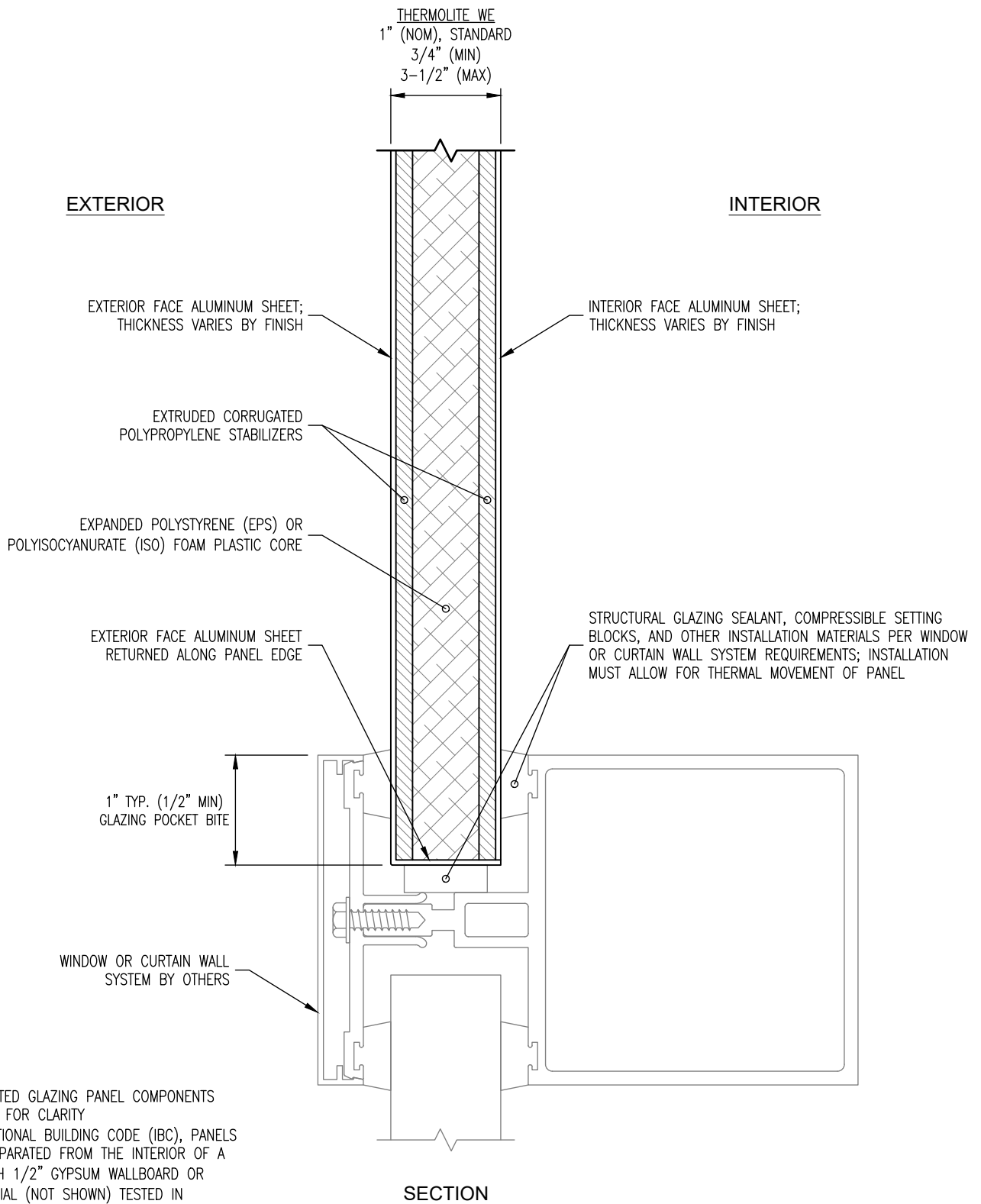
Date:
10/19/2021

Drawn By:
JJM

Detail Set:
IGP

Dwg. No.:
S-1.1

Rev:
01



DETAIL NOTES:

1. SOME INSULATED GLAZING PANEL COMPONENTS EXAGGERATED FOR CLARITY
2. PER INTERNATIONAL BUILDING CODE (IBC), PANELS SHALL BE SEPARATED FROM THE INTERIOR OF A BUILDING WITH 1/2" GYPSUM WALLBOARD OR OTHER MATERIAL (NOT SHOWN) TESTED IN ACCORDANCE WITH AND MEETING THE ACCEPTANCE CRITERIA OF NFPA 275



LAMINATORS
Composite Panel Solutions

www.LaminatorsInc.com

800.523.2347

THERMOLITE WE PANEL - GLAZING POCKET DETAIL

INSULATED GLAZING PANELS

Date:
10/19/2021

Drawn By:
JJM

Detail Set:
IGP

Dwg. No.:
S-1.2

Rev:
01

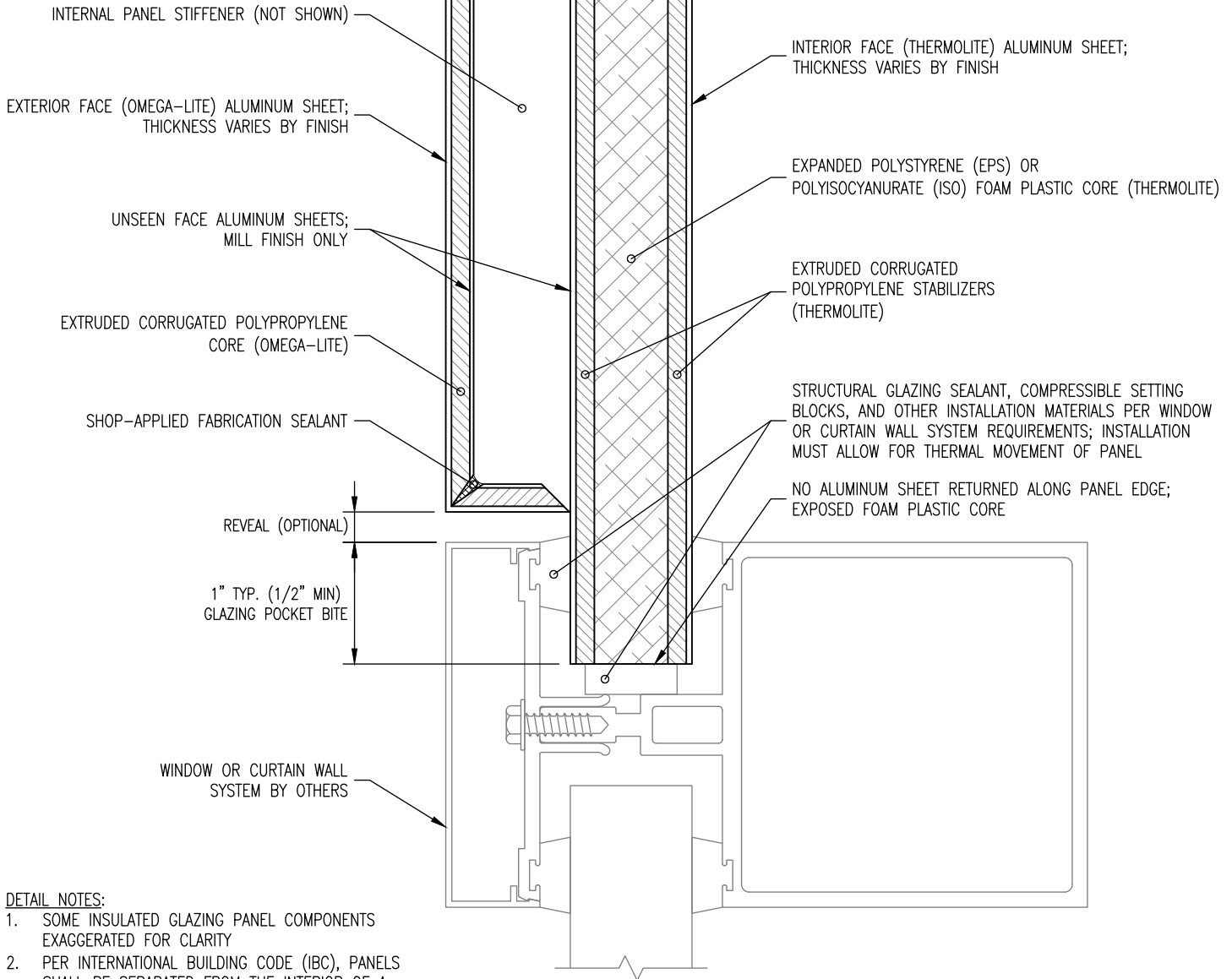
THERMOLITE SE
2" (NOM), STANDARD

OMEGA-LITE
STEPPED EDGE
PANEL
1" (NOM),
STANDARD

THERMOLITE
1" (NOM),
STANDARD
3/4" (MIN)
2-1/2" (MAX)

EXTERIOR

INTERIOR



SECTION

DETAIL NOTES:

1. SOME INSULATED GLAZING PANEL COMPONENTS EXAGGERATED FOR CLARITY
2. PER INTERNATIONAL BUILDING CODE (IBC), PANELS SHALL BE SEPARATED FROM THE INTERIOR OF A BUILDING WITH 1/2" GYPSUM WALLBOARD OR OTHER MATERIAL (NOT SHOWN) TESTED IN ACCORDANCE WITH AND MEETING THE ACCEPTANCE CRITERIA OF NFPA 275



LAMINATORS
Composite Panel Solutions

www.LaminatorsInc.com

800.523.2347

THERMOLITE SE PANEL - GLAZING POCKET DETAIL

INSULATED GLAZING PANELS

Date:
10/19/2021

Drawn By:
JJM

Detail Set:
IGP

Dwg. No.:
S-1.3

Rev:
01

THERMOLITE U-MAX
 2-1/2" (NOM), STANDARD
 3-1/2" (MAX)

1" (NOM), STANDARD 3/4" (MIN) 2-1/2" (MAX)	1-1/2" (NOM), STANDARD 3/4" (MIN) 2-1/2" (MAX)
---	---

EXTERIOR

INTERIOR

EXTERIOR FACE ALUMINUM SHEET;
 THICKNESS VARIES BY FINISH

INTERIOR FACE ALUMINUM SHEET;
 THICKNESS VARIES BY FINISH

EXTRUDED CORRUGATED
 POLYPROPYLENE STABILIZERS

EXPANDED POLYSTYRENE (EPS) OR
 POLYISOCYANURATE (ISO) FOAM PLASTIC CORES

STRUCTURAL GLAZING SEALANT, COMPRESSIBLE SETTING
 BLOCKS, AND OTHER INSTALLATION MATERIALS PER WINDOW
 OR CURTAIN WALL SYSTEM REQUIREMENTS; INSTALLATION
 MUST ALLOW FOR THERMAL MOVEMENT OF PANEL

NO ALUMINUM SHEET
 RETURNED ALONG PANEL EDGE;
 EXPOSED FOAM PLASTIC CORE
 AND STABILIZER

1" TYP. (1/2" MIN)
 GLAZING POCKET BITE

REVEAL
 (OPTIONAL)

WINDOW OR CURTAIN WALL
 SYSTEM BY OTHERS

SECTION

DETAIL NOTES:

1. SOME INSULATED GLAZING PANEL COMPONENTS EXAGGERATED FOR CLARITY
2. PER INTERNATIONAL BUILDING CODE (IBC), PANELS SHALL BE SEPARATED FROM THE INTERIOR OF A BUILDING WITH 1/2" GYPSUM WALLBOARD OR OTHER MATERIAL (NOT SHOWN) TESTED IN ACCORDANCE WITH AND MEETING THE ACCEPTANCE CRITERIA OF NFPA 275



LAMINATORS
 Composite Panel Solutions

www.LaminatorsInc.com

800.523.2347

THERMOLITE U-MAX PANEL - GLAZING POCKET DETAIL

INSULATED GLAZING PANELS

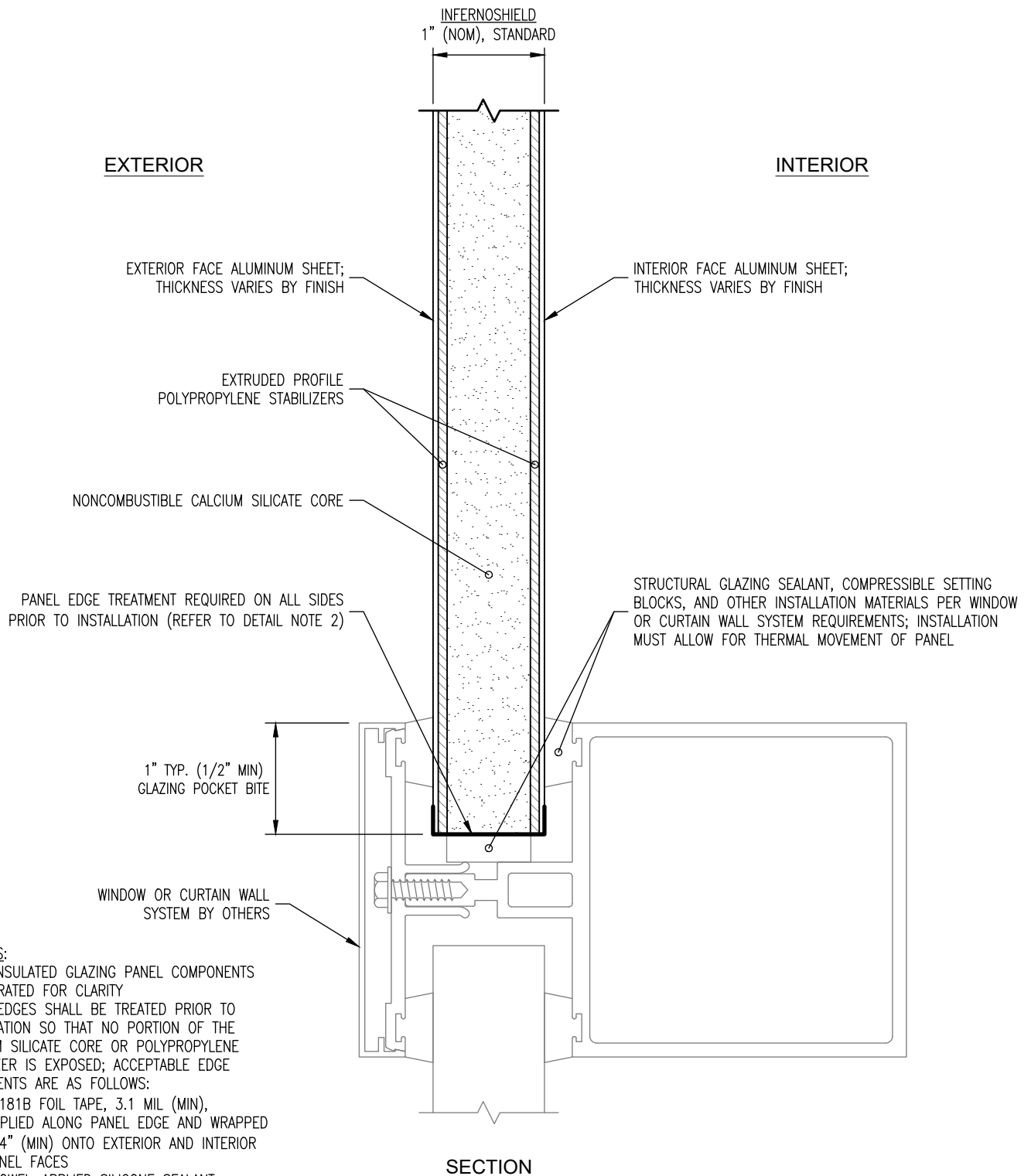
Date:
10/19/2021

Drawn By:
JJM

Detail Set:
IGP

Dwg. No.:
S-1.4

Rev:
01



DETAIL NOTES:

1. SOME INSULATED GLAZING PANEL COMPONENTS EXAGGERATED FOR CLARITY
2. PANEL EDGES SHALL BE TREATED PRIOR TO INSTALLATION SO THAT NO PORTION OF THE CALCIUM SILICATE CORE OR POLYPROPYLENE STABILIZER IS EXPOSED; ACCEPTABLE EDGE TREATMENTS ARE AS FOLLOWS:
 - A. UL181B FOIL TAPE, 3.1 MIL (MIN), APPLIED ALONG PANEL EDGE AND WRAPPED 1/4" (MIN) ONTO EXTERIOR AND INTERIOR PANEL FACES
 - B. TROWEL-APPLIED SILICONE SEALANT, 60 MIL (MIN) APPLICATION THICKNESS



www.LaminatorsInc.com

800.523.2347

INFERNOSHIELD PANEL - GLAZING POCKET DETAIL

INSULATED GLAZING PANELS

Date:
11/1/2022

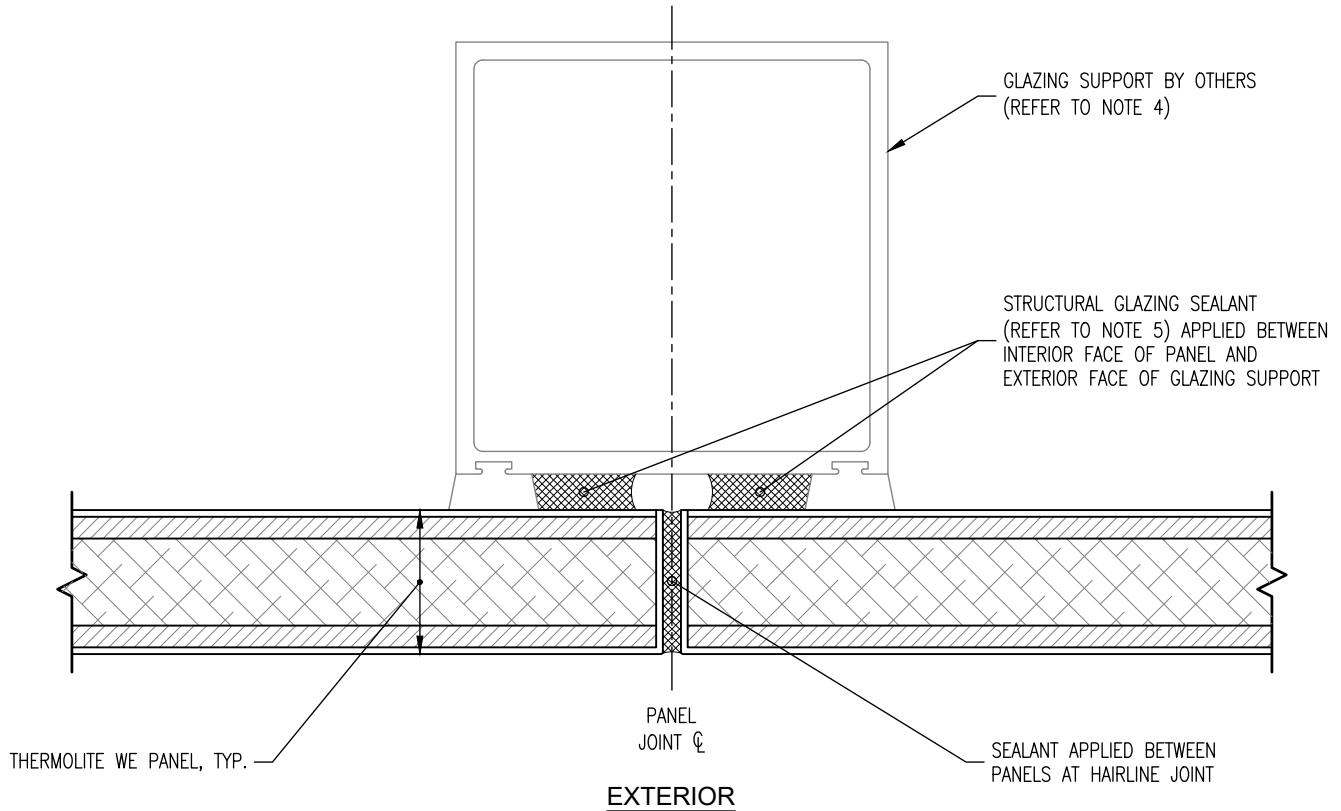
Drawn By:
JJM

Detail Set:
IGP

Dwg. No.:
S-1.5

Rev:
00

INTERIOR



EXTERIOR

PLAN SECTION

DETAIL NOTES:

1. SOME INSULATED GLAZING PANEL COMPONENTS EXAGGERATED FOR CLARITY
2. PER INTERNATIONAL BUILDING CODE (IBC), PANELS SHALL BE SEPARATED FROM THE INTERIOR OF A BUILDING WITH 1/2" GYPSUM WALLBOARD OR OTHER MATERIAL (NOT SHOWN) TESTED IN ACCORDANCE WITH AND MEETING THE ACCEPTANCE CRITERIA OF NFPA 275
3. HAIRLINE (BUTT-GLAZED) JOINTS ONLY PERMITTED ALONG THE HEIGHT (SHORT DIMENSION) OF PANELS WITH A LENGTH:HEIGHT ASPECT RATIO OF 2:1 OR GREATER (REFER TO EL-2.0); CONTACT LAMINATORS TECHNICAL SUPPORT FOR PROJECT-SPECIFIC EXCEPTIONS AND ADDITIONAL FABRICATION CAPABILITIES
4. DESIGN OF GLAZING SUPPORT FOR HAIRLINE JOINT TO BE BASED ON PROJECT-SPECIFIC COMPONENTS AND CLADDING WIND LOADS AS DETERMINED BY THE DESIGN PROFESSIONAL OF RECORD
5. SELECTION OF STRUCTURAL GLAZING SILICONE SEALANT TO BE BASED ON PROJECT REQUIREMENTS, INCLUDING (BUT NOT LIMITED TO) THE FOLLOWING:
 - A. STRENGTH CAPABILITIES TO PROVIDE FULL TRANSFER OF PROJECT-SPECIFIC LOADS TO GLAZING SUPPORT
 - B. ELONGATION AND COMPRESSIBILITY CAPABILITIES TO ACCOMMODATE ANTICIPATED THERMAL MOVEMENT AND MOVEMENT FROM WIND LOAD CYCLES



LAMINATORS
Composite Panel Solutions

www.LaminatorsInc.com

800.523.2347

THERMOLITE WE PANEL - HAIRLINE JOINT DETAIL

INSULATED GLAZING PANELS

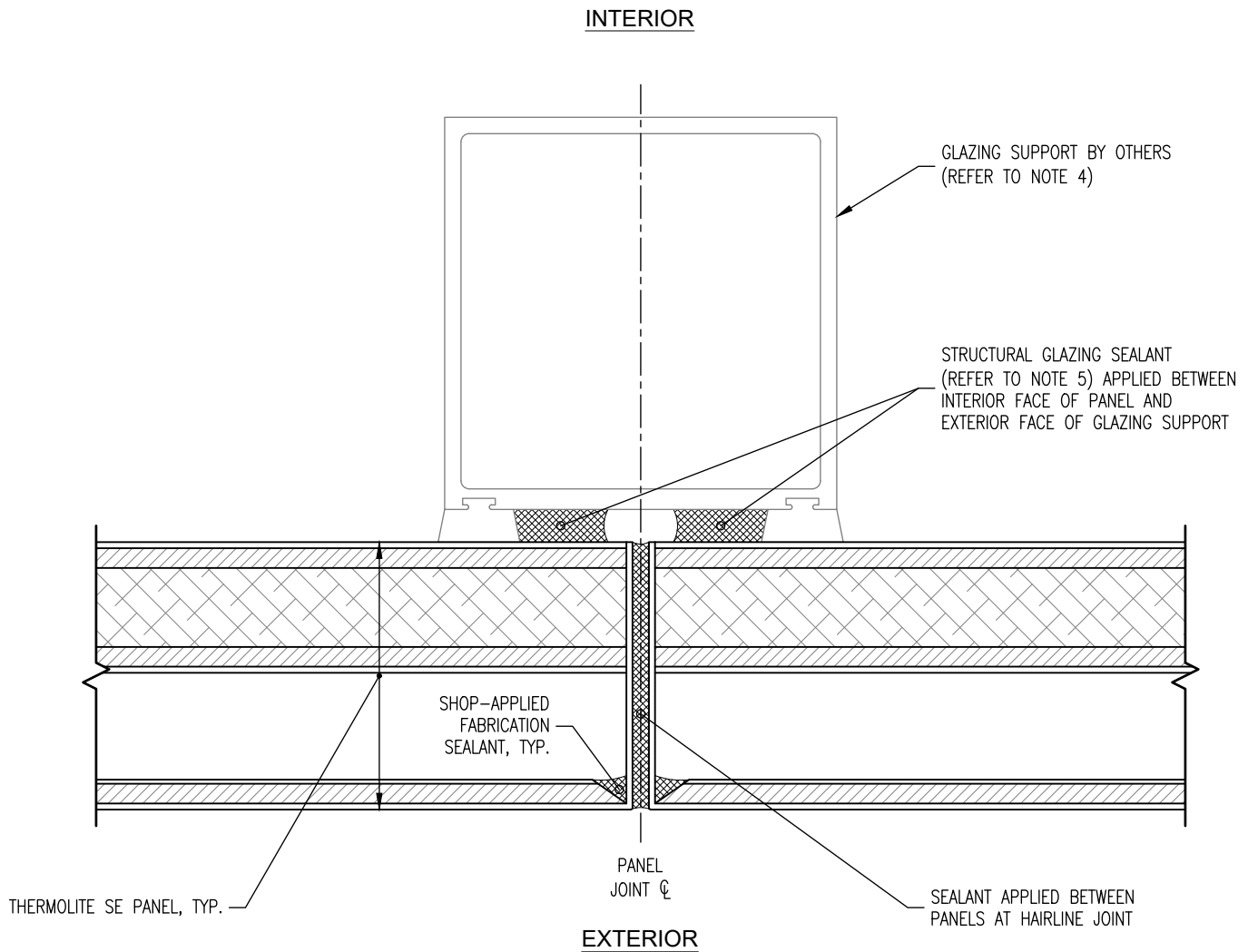
Date:
11/28/2023

Drawn By:
JJM

Detail Set:
IGP

Dwg. No.:
S-2.1

Rev:
01



PLAN SECTION

DETAIL NOTES:

1. SOME INSULATED GLAZING PANEL COMPONENTS EXAGGERATED FOR CLARITY
2. PER INTERNATIONAL BUILDING CODE (IBC), PANELS SHALL BE SEPARATED FROM THE INTERIOR OF A BUILDING WITH 1/2" GYPSUM WALLBOARD OR OTHER MATERIAL (NOT SHOWN) TESTED IN ACCORDANCE WITH AND MEETING THE ACCEPTANCE CRITERIA OF NFPA 275
3. HAIRLINE (BUTT-GLAZED) JOINTS ONLY PERMITTED ALONG THE HEIGHT (SHORT DIMENSION) OF PANELS WITH A LENGTH:HEIGHT ASPECT RATIO OF 2:1 OR GREATER (REFER TO EL-2.0); CONTACT LAMINATORS TECHNICAL SUPPORT FOR PROJECT-SPECIFIC EXCEPTIONS AND ADDITIONAL FABRICATION CAPABILITIES
4. DESIGN OF GLAZING SUPPORT FOR HAIRLINE JOINT TO BE BASED ON PROJECT-SPECIFIC COMPONENTS AND CLADDING WIND LOADS AS DETERMINED BY THE DESIGN PROFESSIONAL OF RECORD
5. SELECTION OF STRUCTURAL GLAZING SILICONE SEALANT TO BE BASED ON PROJECT REQUIREMENTS, INCLUDING (BUT NOT LIMITED TO) THE FOLLOWING:
 - A. STRENGTH CAPABILITIES TO PROVIDE FULL TRANSFER OF PROJECT-SPECIFIC LOADS TO GLAZING SUPPORT
 - B. ELONGATION AND COMPRESSIBILITY CAPABILITIES TO ACCOMMODATE ANTICIPATED THERMAL MOVEMENT AND MOVEMENT FROM WIND LOAD CYCLES



LAMINATORS
Composite Panel Solutions

www.LaminatorsInc.com

800.523.2347

THERMOLITE SE PANEL - HAIRLINE JOINT DETAIL

INSULATED GLAZING PANELS

Date:
11/28/2023

Drawn By:
JJM

Detail Set:
IGP

Dwg. No.:
S-2.2

Rev:
01

INTERIOR

GLAZING SUPPORT BY OTHERS
(REFER TO NOTE 3)

STRUCTURAL GLAZING SEALANT
(REFER TO NOTE 4) APPLIED BETWEEN
INTERIOR FACE OF PANEL AND
EXTERIOR FACE OF GLAZING SUPPORT

INFERNOSHIELD PANEL WITH
FABRICATED WRAPPED EDGE, TYP.

PANEL
JOINT ϕ

SEALANT APPLIED BETWEEN
PANELS AT HAIRLINE JOINT

EXTERIOR

PLAN SECTION

DETAIL NOTES:

1. SOME INSULATED GLAZING PANEL COMPONENTS EXAGGERATED FOR CLARITY
2. HAIRLINE (BUTT-GLAZED) JOINTS ONLY PERMITTED ALONG THE HEIGHT (SHORT DIMENSION) OF PANELS WITH A LENGTH:HEIGHT ASPECT RATIO OF 2:1 OR GREATER (REFER TO EL-2.0); CONTACT LAMINATORS TECHNICAL SUPPORT FOR PROJECT-SPECIFIC EXCEPTIONS AND ADDITIONAL FABRICATION CAPABILITIES
3. DESIGN OF GLAZING SUPPORT FOR HAIRLINE JOINT TO BE BASED ON PROJECT-SPECIFIC COMPONENTS AND CLADDING WIND LOADS AS DETERMINED BY THE DESIGN PROFESSIONAL OF RECORD
4. SELECTION OF STRUCTURAL GLAZING SILICONE SEALANT TO BE BASED ON PROJECT REQUIREMENTS, INCLUDING (BUT NOT LIMITED TO) THE FOLLOWING:
 - A. STRENGTH CAPABILITIES TO PROVIDE FULL TRANSFER OF PROJECT-SPECIFIC LOADS TO GLAZING SUPPORT
 - B. ELONGATION AND COMPRESSIBILITY CAPABILITIES TO ACCOMMODATE ANTICIPATED THERMAL MOVEMENT AND MOVEMENT FROM WIND LOAD CYCLES



LAMINATORS
Composite Panel Solutions

www.LaminatorsInc.com

800.523.2347

INFERNOSHIELD PANEL - HAIRLINE JOINT DETAIL

INSULATED GLAZING PANELS

Date:
11/28/2023

Drawn By:
JJM

Detail Set:
IGP

Dwg. No.:
S-2.3

Rev:
00