



MIAMI-DADE COUNTY
PRODUCT CONTROL SECTION
 11805 SW 26 Street, Room 208
 Miami, Florida 33175-2474
 T (786) 315-2590 F (786) 315-2599
www.miamidade.gov/economy

DEPARTMENT OF REGULATORY AND ECONOMIC RESOURCES (RER)
 BOARD AND CODE ADMINISTRATION DIVISION
NOTICE OF ACCEPTANCE (NOA)

Laminators, Inc.
3255 Penn Street
Hatfield, PA 19440

SCOPE: This NOA is being issued under the applicable rules and regulations governing the use of construction materials. The documentation submitted has been reviewed and accepted by Miami-Dade County RER-Product Control Section to be used in Miami-Dade County and other areas where allowed by the Authority Having Jurisdiction (AHJ).

This NOA shall not be valid after the expiration date stated below. The Miami-Dade County Product Control Section (In Miami-Dade County) and/ or the AHJ (in areas other than Miami-Dade County) reserve the right to have this product or material tested for quality assurance purposes. If this product or material fails to perform in the accepted manner, the manufacturer will incur the expense of such testing and the AHJ may immediately revoke, modify, or suspend the use of such product or material within their jurisdiction. RER reserves the right to revoke this acceptance if it is determined by Miami-Dade County Product Control Section that this product or material fails to meet the requirements of the applicable building code.

This product is approved as described herein and has been designed to comply with the Florida Building Code, including the High Velocity Hurricane Zone.

DESCRIPTION: Omega-Lite® 1-Piece Tight Fit, Clip and Caulk, Rout and Return and Dry Seal Aluminum Composite Wall Panel Systems

APPROVAL DOCUMENT: Drawing No. **LAM-OL-001**, titled “Omega-Lite® ACM Wall Panels”, sheets 1 through 21 of 21, dated 07/08/2015, prepared by the Laminators, Inc., signed and sealed by Christopher Bucci, P.E., bearing the Miami-Dade County Product Control revision stamp with the Notice of Acceptance number and expiration date by the Miami-Dade County Product Control Section.

MISSILE IMPACT RATING: Large and Small Missile Impact Resistant

LABELING: A permanent label with the manufacturer’s name or logo, manufacturing plant’s city and state, model/ series, and the statement reading ‘Miami-Dade County Product Control Approved’ is to be located on each panel.

RENEWAL of this NOA shall be considered after a renewal application has been filed and there has been no change in the applicable building code negatively affecting the performance of this product.

TERMINATION of this NOA will occur after the expiration date or if there has been a revision or change in the materials, use, and/or manufacture of the product or process. Misuse of this NOA as an endorsement of any product, for sales, advertising or any other purposes shall automatically terminate this NOA. Failure to comply with any section of this NOA shall be cause for termination and removal of NOA.

ADVERTISEMENT: The NOA number preceded by the words Miami-Dade County, Florida, and followed by the expiration date may be displayed in advertising literature. If any portion of the NOA is displayed, then it shall be done in its entirety.

INSPECTION: A copy of this entire NOA shall be provided to the user by the manufacturer or its distributors and shall be available for inspection at the job site at the request of the Building Official.

This NOA **renews NOA # 23-0911.07** and consists of this page 1, evidence pages E-1, E-2 and E-3, as well as approval document mentioned above.

The submitted documentation was reviewed by **Sifang Zhao, P.E.**



S.Z.
 12/19/2024

NOA No 24-1119.01
Expiration Date: August 20, 2030
Approval Date: December 19, 2024
 Page 1

NOTICE OF ACCEPTANCE: EVIDENCE SUBMITTED

1. EVIDENCE SUBMITTED UNDER PREVIOUS NOA's

A. DRAWINGS “Submitted under NOA # 15-0409.11”

1. Drawing **LAM-OL-001**, titled “Omega-Lite® ACM Wall Panels”, sheets 1 through 21 of 21, dated 07/08/2015, prepared by the Laminators, Inc., signed and sealed by Christopher Bucci, P.E.

B. TESTS “Submitted under NOA # 15-0409.11”

1. Test report on 1) Air Infiltration Test, per FBC, TAS 202-94
2) Uniform Static Air Pressure Test, Loading per FBC TAS 202-94
3) Water Resistance Test, per FBC, TAS 202-94
4) Cyclic Wind Pressure Loading per FBC, TAS 203-94
along with marked-up drawings and installation diagram of Omega-Lite 1-Piece Tight Fit Installation System, prepared by Intertek/Architectural Testing, Inc., Test Report No. **E2577.01-109-18**, dated 02/20/2015, signed and sealed by Michael D. Stremmel, P.E.
2. Test report on 1) Air Infiltration Test, per FBC, TAS 202-94
2) Uniform Static Air Pressure Test, Loading per FBC TAS 202-94
3) Water Resistance Test, per FBC, TAS 202-94
4) Cyclic Wind Pressure Loading per FBC, TAS 203-94
along with marked-up drawings and installation diagram of Omega-Lite Clip and Caulk Installation System, prepared by Intertek/Architectural Testing, Inc., Test Report No. **E2639.01-109-18**, dated 02/20/2015, signed and sealed by Michael D. Stremmel, P.E.
3. Test report on 1) Air Infiltration Test, per FBC, TAS 202-94
2) Uniform Static Air Pressure Test, Loading per FBC TAS 202-94
3) Water Resistance Test, per FBC, TAS 202-94
4) Cyclic Wind Pressure Loading per FBC, TAS 203-94
along with marked-up drawings and installation diagram of Omega-Lite Rout and Return Installation System, prepared by Intertek/Architectural Testing, Inc., Test Report No. **E2647.01-109-18**, dated 02/20/2015, signed and sealed by Michael D. Stremmel, P.E.
4. Test report on 1) Air Infiltration Test, per FBC, TAS 202-94
2) Uniform Static Air Pressure Test, Loading per FBC TAS 202-94
3) Water Resistance Test, per FBC, TAS 202-94
4) Large Missile Impact Test per FBC, TAS 201-94
5) Cyclic Wind Pressure Loading per FBC, TAS 203-94
along with marked-up drawings and installation diagram of Omega-Lite Dry Seal Installation System, prepared by Intertek/Architectural Testing, Inc., Test Report No. **E2648.01-109-18**, dated 02/20/2015, signed and sealed by Michael D. Stremmel, P.E.



Sifang Zhao, P.E.
Product Control Examiner
NOA No 24-1119.01
Expiration Date: August 20, 2030
Approval Date: December 19, 2024

NOTICE OF ACCEPTANCE: EVIDENCE SUBMITTED

B. TESTS (Cont.) “Submitted under NOA # 15-0409.11”

5. Test report on 1) Evaluation of Painted or Coated Specimens per ASTM D 1654-08
2) Modified Salt Spray (Fog) Testing per ASTM G 85-11
3) Tension Testing of Metallic Materials per ASTM E 8-13a
4) Ignition Temperature of Plastics per ASTM D 1929-96
5) Rate of Burning of Plastics per ASTM D 635-06
of Omega-Lite ACM Panels, prepared by Intertek/Architectural Testing, Inc., Test Report No. **E2577.03-106-18**, dated 03/16/2015, signed and sealed by Michael D. Stremmel, P.E.
6. Test report on Surface Burning Characteristics of Building Materials per ASTM E 84-07 of the Aluminum Composite Material, prepared by Intertek/Architectural Testing, Inc., Test Report No. **E2577.02-121-18**, dated 01/22/2015, signed and sealed by Michael D. Stremmel, P.E.

C. CALCULATIONS “Submitted under NOA # 15-0409.11”

1. Structural calculations prepared by Laminators, Inc., dated 03/17/2015, signed and sealed by Christopher Bucci, P.E.

D. MATERIAL CERTIFICATIONS “Submitted under NOA # 15-0409.11”

1. Technical data sheet of Henry Air-Bloc® 31MR Fluid Applied, Vapor Permeable Air and Water Barrier Membrane, revised on 04/11/2013.

E. QUALITY ASSURANCE

1. Miami-Dade Department of Regulatory and Economic Resources (RER)

F. STATEMENTS “Submitted under NOA # 15-0409.11”

1. Statement letter of code conformance to the 5th edition (2014) FBC issued by Laminators, Inc., dated 07/07/2015, signed and sealed by Christopher Bucci, P.E.
2. Statement letter of no financial interest letter issued by Laminators, Inc., dated 02/20/2015, signed and sealed by Christopher Bucci, P.E.



Sifang Zhao, P.E.
Product Control Examiner
NOA No 24-1119.01
Expiration Date: August 20, 2030
Approval Date: December 19, 2024

Laminators, Inc.

NOTICE OF ACCEPTANCE: EVIDENCE SUBMITTED

2. EVIDENCE SUBMITTED UNDER PREVIOUS NOAs AND NEW

A. DRAWINGS “Submitted under NOA # 15-0409.11”

1. Drawing No. **LAM-OL-001**, titled “Omega-Lite® ACM Wall Panels”, sheets 1 through 21 of 21, dated 07/08/2015, prepared by the Laminators, Inc., signed and sealed by Christopher Bucci, P.E.

B. TESTS

1. None.

C. CALCULATIONS

1. None.

D. QUALITY ASSURANCE

1. Miami-Dade Department of Regulatory and Economic Resources (RER).

E. MATERIAL CERTIFICATIONS

1. None.

F. STATEMENTS

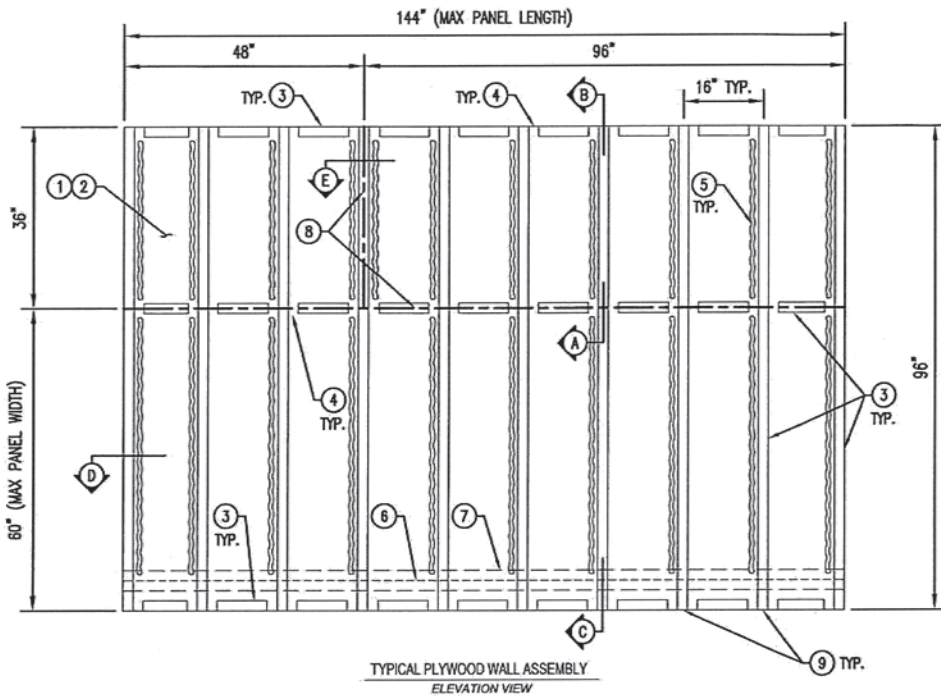
1. Statement letter of code conformance to the 8th edition (2023) of the FBC, dated 09/05/2023, issued by the Laminators, Inc., signed and sealed by Christopher Bucci, P.E. “*Submitted under NOA # 23-0911.07*”
2. Statement letter of code conformance to the 7th edition (2020) of the FBC, dated 09/09/2020, issued by the Laminators, Inc., signed and sealed by Christopher Bucci, P.E. “*Submitted under NOA # 18-0214.03*”
3. Statement letter of code conformance to the 6th edition (2017) of the FBC, and of no financial interest, dated 01/31/ 2018, issued by the Laminators, Inc., signed and sealed by Christopher Bucci, P.E. “*Submitted under NOA # 18-0214.03*”

G. OTHERS

1. This NOA renews **NOA#23-0911.07** which expires on August 20, 2025.



Sifang Zhao, P.E.
Product Control Examiner
NOA No 24-1119.01
Expiration Date: August 20, 2030
Approval Date: December 19, 2024



TYPICAL PLYWOOD WALL ASSEMBLY
ELEVATION VIEW

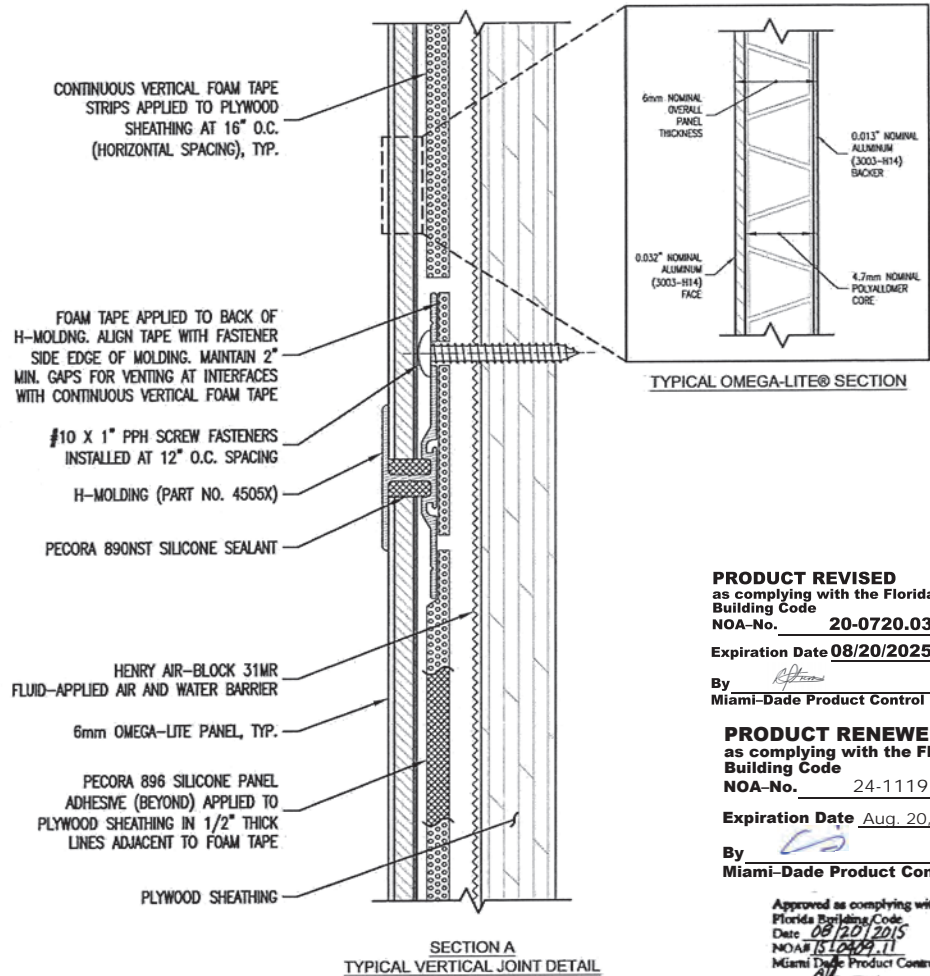
NOTE: PANELS AND MOLDINGS NOT SHOWN FOR CLARITY. PANEL DIMENSIONS MEASURED TO CENTERLINE OF MOLDINGS.

DESIGN PRESSURE: ±120.0 PSF

- ① 5/8" PLYWOOD SHEATHING FASTENED TO STUDS WITH #10 SCREWS AT 6" O.C.
- ② HENRY AIR-BLOC 31MR FLUID-APPLIED AIR AND WATER BARRIER
- ③ 2" WIDE x 3/16" THICK, 7 LB DENSITY, CLOSED-CELL PVC FOAM TAPE (GASKA TAPE OR EQUIVALENT) APPLIED TO PLYWOOD SHEATHING
- ④ 2" WIDE GAPS FOR VENTING AT HORIZONTAL TO VERTICAL FOAM TAPE INTERFACES (VERTICAL FOAM TAPE TO BE CONTINUOUS FOR FULL HEIGHT OF WALL)

- ⑤ PECORA 896 PANEL ADHESIVE APPLIED IN 1/2" THICK LINES
- ⑥ METAL FLASHING FASTENED TO PLYWOOD SHEATHING
- ⑦ MEMBRANE OR FLUID-APPLIED AIR AND WATER BARRIER TO LAP OVER METAL FLASHING IN SHINGLE FASHION
- ⑧ CENTERLINE OF PANEL JOINTS
- ⑨ 600S162-54 (G60) STEEL STUDS AT 16" O.C. (BEHIND SHEATHING; BY OTHERS)

NOTE: SPACING SHOWN BETWEEN PANELS AND SUBSTRATES AND THICKNESS OF SOME PANEL SYSTEM COMPONENTS EXAGGERATED FOR CLARITY



SECTION A
TYPICAL VERTICAL JOINT DETAIL

PRODUCT REVISED
as complying with the Florida Building Code
NOA-No. **20-0720.03**
Expiration Date **08/20/2025**

By *[Signature]*
Miami-Dade Product Control

PRODUCT RENEWED
as complying with the Florida Building Code
NOA-No. **24-1119.01**
Expiration Date **Aug. 20, 2030**

By *[Signature]*
Miami-Dade Product Control

Approved as complying with the Florida Building Code
Date **08/20/2025**
NOA No. **25-1282.11**
Miami-Dade Product Control
By *[Signature]*

REV_0: 07/08/2015

File Name: MiamiDade LAM-OL-001

OMEGA PANEL PRODUCTS Ω
LAMINATORS INC.

www.LaminatorsInc.com

877.OMEGA.77

OMEGA-LITE® ACM WALL PANELS

1-PIECE TIGHT FIT INSTALLATION SYSTEM
OVER PLYWOOD SHEATHING

Date: 07/08/2015	Drawn By: JJM	Dwg. No.: LAM-OL-001	Page: 1 OF 21
---------------------	------------------	-------------------------	------------------

PARAPET WALL METAL COPING AND BLOCKING BY OTHERS

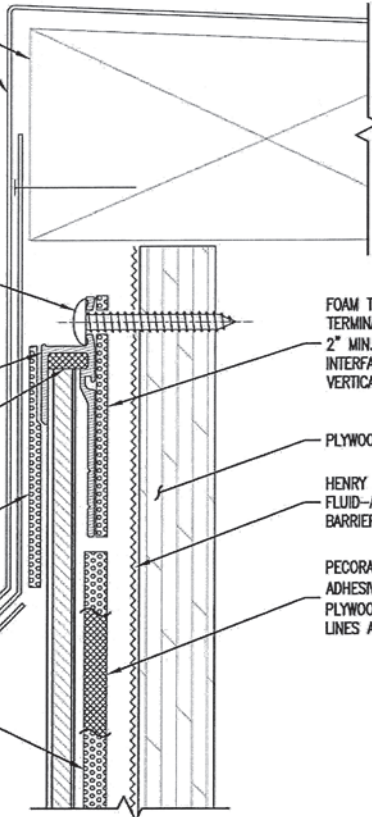
#10 X 1" PPH SCREW FASTENERS INSTALLED AT 12" O.C. SPACING

TERMINATION J-MOLDING (PART NO. 4565X)

PECORA 890NST SILICONE SEALANT

FOAM TAPE APPLIED BETWEEN OMEGA-LITE PANEL AND METAL COPING SYSTEM. MAINTAIN 2" MIN. GAPS FOR VENTING AT 24" O.C.

CONTINUOUS VERTICAL FOAM TAPE STRIPS APPLIED TO PLYWOOD SHEATHING AT 16" O.C. (HORIZONTAL SPACING), TYP.



SECTION B
TYPICAL TOP OF WALL DETAIL

FOAM TAPE APPLIED TO BACK OF TERMINATION J-MOLDING. MAINTAIN 2" MIN. GAPS FOR VENTING AT INTERFACES WITH CONTINUOUS VERTICAL FOAM TAPE

PLYWOOD SHEATHING

HENRY AIR-BLOCK 31MR FLUID-APPLIED AIR AND WATER BARRIER

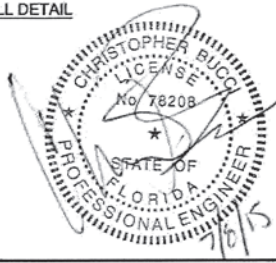
PECORA 896 SILICONE PANEL ADHESIVE (BEYOND) APPLIED TO PLYWOOD SHEATHING IN 1/2" THICK LINES ADJACENT TO FOAM TAPE

PRODUCT REVISED
as complying with the Florida Building Code
NOA-No. 20-0720.03

Expiration Date 08/20/2025

By [Signature]
Miami-Dade Product Control

NOTE: SPACING SHOWN BETWEEN PANELS AND SUBSTRATES AND THICKNESS OF SOME PANEL SYSTEM COMPONENTS EXAGGERATED FOR CLARITY



REV. 0: 07/08/2015

File Name: MiamiDade LAM-OL-001

CONTINUOUS VERTICAL FOAM TAPE STRIPS APPLIED TO PLYWOOD SHEATHING AT 16" O.C. (HORIZONTAL SPACING), TYP.

PECORA 896 SILICONE PANEL ADHESIVE (BEYOND) APPLIED TO PLYWOOD SHEATHING IN 1/2" THICK LINES ADJACENT TO FOAM TAPE

MEMBRANE OR FLUID-APPLIED AIR AND WATER BARRIER LAP INSTALLED IN SHINGLE FASHION

6mm OMEGA-LITE PANEL, TYP.

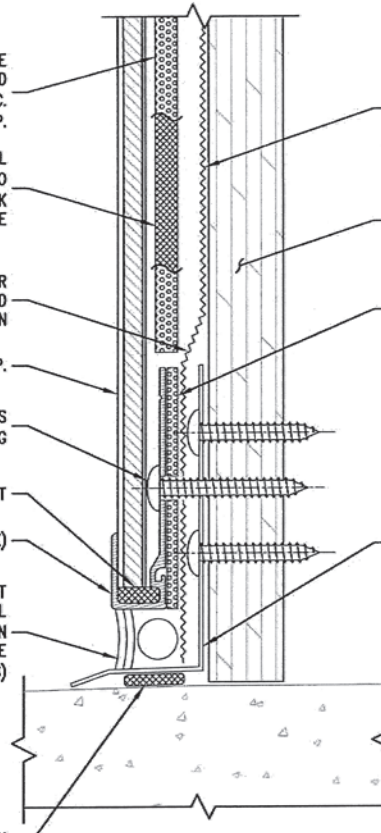
#10 X 1" PPH SCREW FASTENERS INSTALLED AT 12" O.C. SPACING

PECORA 890NST SILICONE SEALANT

J-MOLDING (PART NO. 4515X)

1/2" JOINT W/ PECORA 890NST SILICONE SEALANT AND CLOSED-CELL BACKER ROD (PROVIDE GAPS IN SEALANT AND BACKER AT FOAM TAPE VENTING LOCATIONS)

CONTINUOUS BUTYL SEALANT BETWEEN METAL FLASHING AND GRADE



SECTION C
TYPICAL GRADE DETAIL

HENRY AIR-BLOCK 31MR FLUID-APPLIED AIR AND WATER BARRIER

PLYWOOD SHEATHING

FOAM TAPE APPLIED TO BACK OF J-MOLDING. MAINTAIN 2" MIN. GAPS FOR VENTING AT INTERFACES WITH CONTINUOUS VERTICAL FOAM TAPE

METAL FLASHING FASTENED TO PLYWOOD SHEATHING WITH (2) #10 X 1" PPH SCREW FASTENERS AT 12" O.C.

PRODUCT RENEWED
as complying with the Florida Building Code

NOA-No. 24-1119.01

Expiration Date Aug. 20, 2030

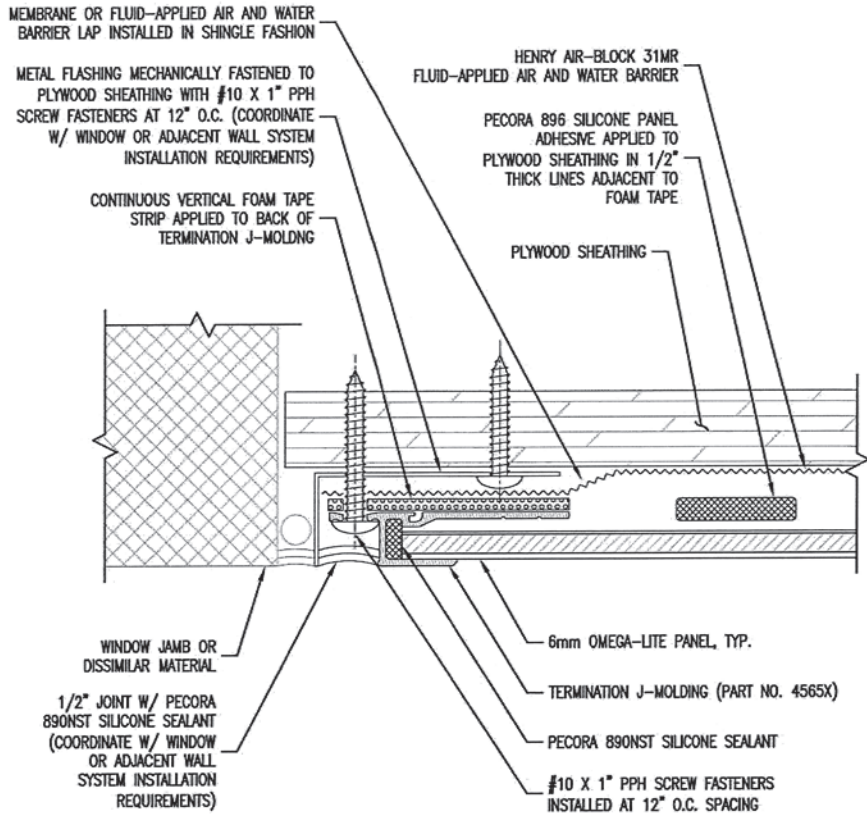
By [Signature]
Miami-Dade Product Control

Approved as complying with the Florida Building Code
Date 08/20/2015
NOA# 13-0009.11
Miami Dade Product Control

By [Signature]

OMEGA PANEL PRODUCTS Ω
LAMINATORS INC.
www.LaminatorsInc.com 877.OMEGA.77

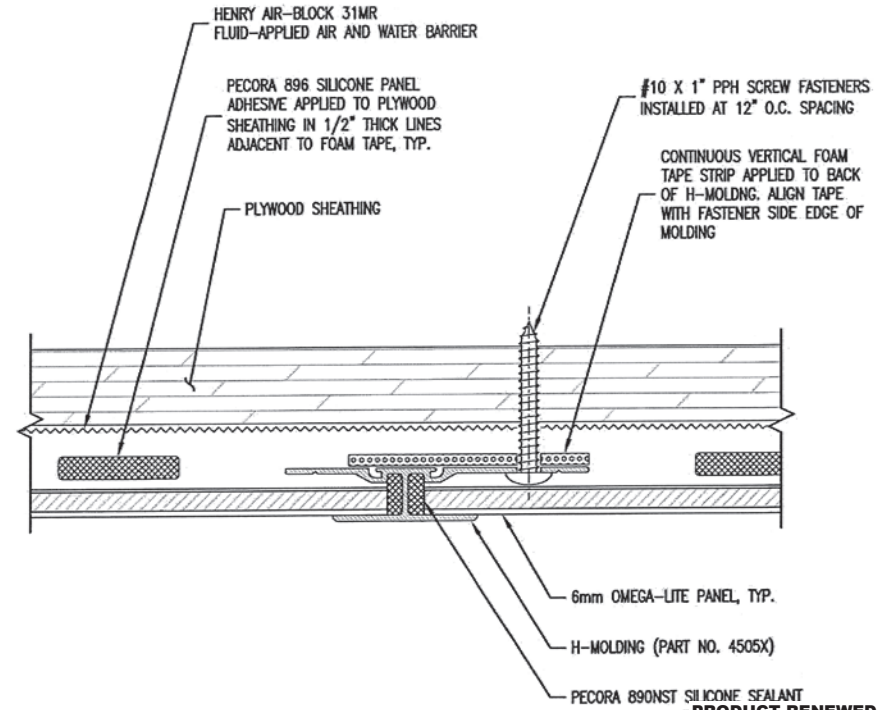
OMEGA-LITE® ACM WALL PANELS			
1-PIECE TIGHT FIT INSTALLATION SYSTEM OVER PLYWOOD SHEATHING			
Date: 07/08/2015	Drawn By: JJM	Dwg. No.: LAM-OL-001	Page: 2 OF 21



SECTION D
TYPICAL END OF RUN DETAIL



NOTE: SPACING SHOWN BETWEEN PANELS AND SUBSTRATES AND THICKNESS OF SOME PANEL SYSTEM COMPONENTS EXAGGERATED FOR CLARITY



SECTION E
TYPICAL HORIZONTAL JOINT DETAIL

PRODUCT REVISED
as complying with the Florida
Building Code
NOA-No. 20-0720.03
Expiration Date 08/20/2025
By [Signature]
Miami-Dade Product Control

PRODUCT RENEWED
as complying with the Florida
Building Code
NOA-No. 24-1119.01
Expiration Date Aug. 20, 2030
By [Signature]
Miami-Dade Product Control
Approved as complying with the
Florida Building Code
Date 08/20/2015
NOA# 15-0009.11
Miami-Dade Product Control
By [Signature]

REV_0: 07/08/2015

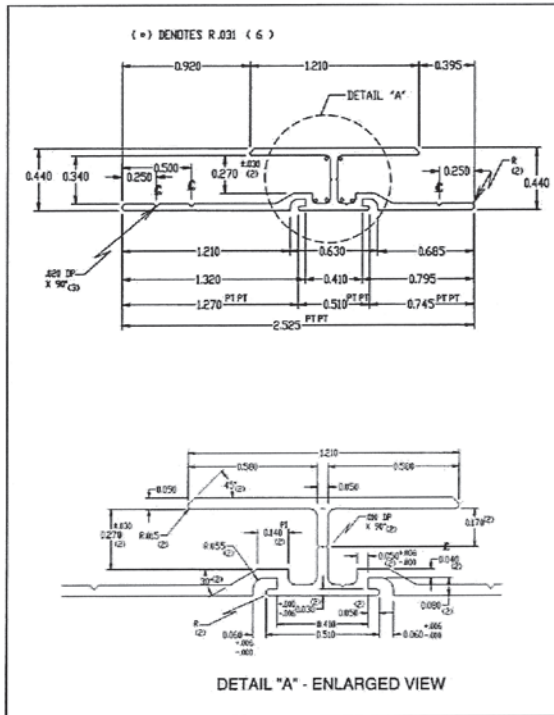
File Name: MiamiDade LAM-CL-001

OMEGA PANEL PRODUCTS Ω
LAMINATORS INC.
www.LaminatorsInc.com 877.OMEGA.77

OMEGA-LITE® ACM WALL PANELS

1-PIECE TIGHT FIT INSTALLATION SYSTEM
OVER PLYWOOD SHEATHING

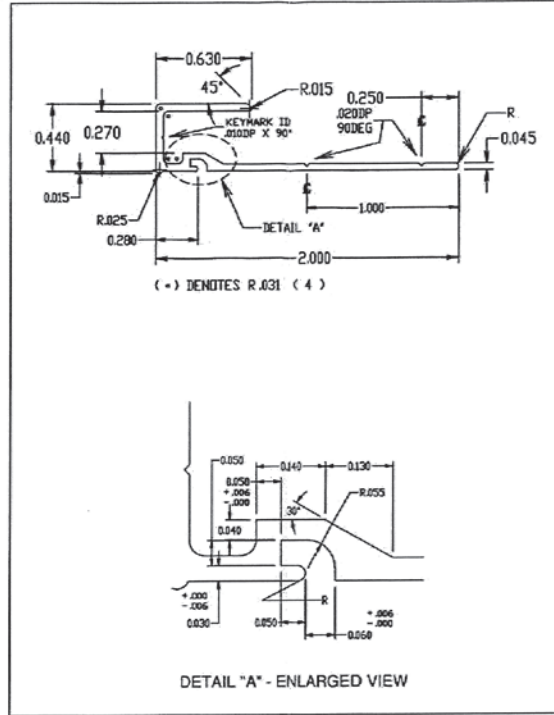
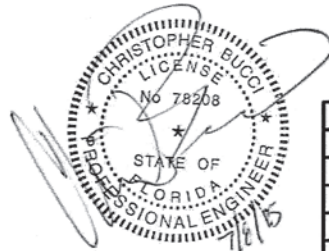
Date: 07/08/2015	Drawn By: JJM	Dwg. No.: LAM-CL-001	Page: 3 OF 21
------------------	---------------	----------------------	---------------



H-MOLDING
PART NO. 4505X
ALUMINUM: 6063-T4

- NOTES:
1. ALL CORNERS .015 RADIUS UNLESS OTHERWISE NOTED
 2. UNSPECIFIED WALL THICKNESS .050
 3. NOT DRAWN TO SCALE

Approved as complying with the
Florida Building Code
Date 08/20/2015
NOA# 15-2405-11
Miami Dade Product Control
By [Signature]



J-MOLDING
PART NO. 4515X
ALUMINUM: 6063-T4

- NOTES:
1. ALL CORNERS .015 RADIUS UNLESS OTHERWISE NOTED
 2. UNSPECIFIED WALL THICKNESS .050
 3. NOT DRAWN TO SCALE

PRODUCT REVISED
as complying with the Florida
Building Code
NOA-No. 20-0720.03
Expiration Date 08/20/2025

By [Signature]
Miami-Dade Product Control

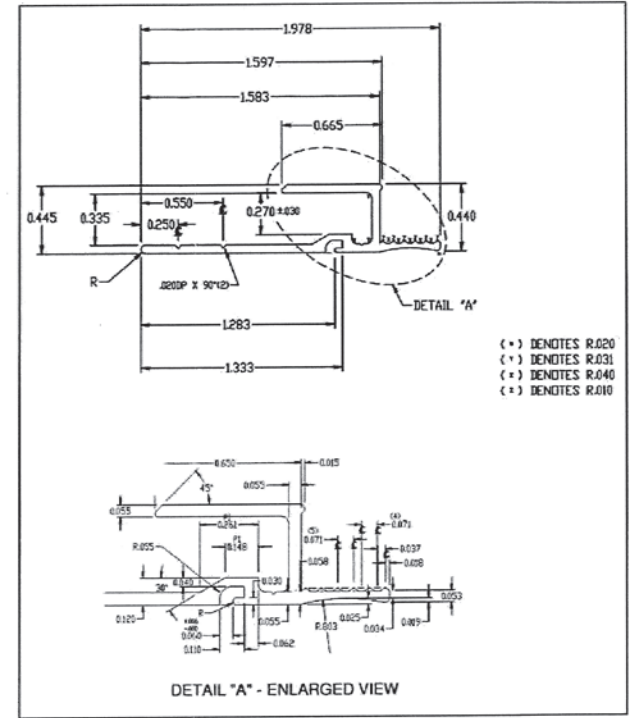
File Name: MiamiDade LAM-OL-001

REV. 0: 07/08/2015



www.LaminatorsInc.com

877.OMEGA.77



TERMINATION J-MOLDING
PART NO. 4565X
ALUMINUM: 6063-T6

- NOTES:
1. ALL CORNERS .015 RADIUS UNLESS OTHERWISE NOTED
 2. UNSPECIFIED WALL THICKNESS .060
 3. NOT DRAWN TO SCALE

PRODUCT RENEWED
as complying with the Florida
Building Code
NOA-No. 24-1119.01

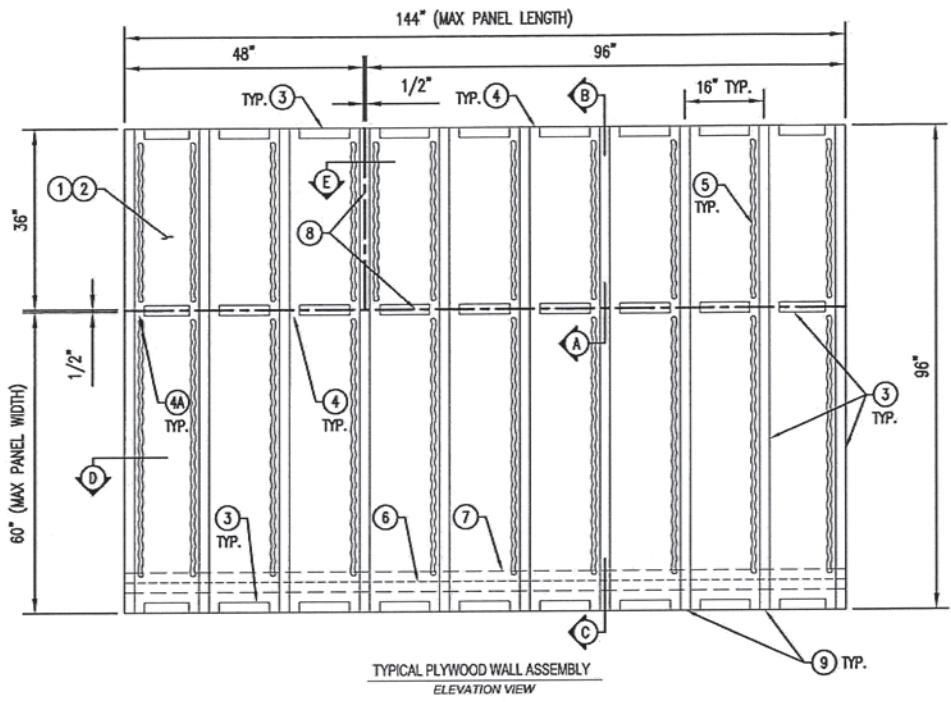
Expiration Date Aug. 20, 2030

By [Signature]
Miami-Dade Product Control

OMEGA-LITE® ACM WALL PANELS

1-PIECE TIGHT FIT INSTALLATION SYSTEM
OVER PLYWOOD SHEATHING

Date: 07/08/2015	Drawn By: JJM	Dwg. No.: LAM-OL-001	Page: 4 OF 21
---------------------	------------------	-------------------------	------------------



TYPICAL PLYWOOD WALL ASSEMBLY
ELEVATION VIEW

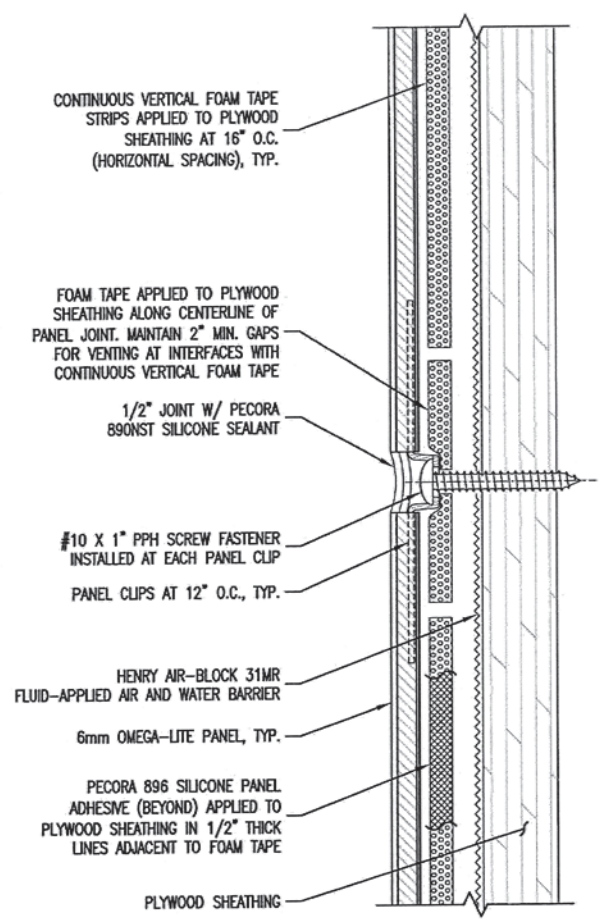
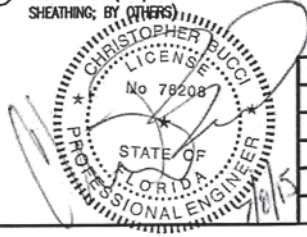
NOTE: PANELS AND MOLDINGS NOT SHOWN FOR CLARITY. PANEL DIMENSIONS ARE NOMINAL.

DESIGN PRESSURE: ±120.0 PSF

- ① 5/8" PLYWOOD SHEATHING FASTENED TO STUDS WITH #10 SCREWS AT 6" O.C.
- ② HENRY AIR-BLOC 31MR FLUID-APPLIED AIR AND WATER BARRIER
- ③ 2" WIDE x 3/16" THICK, 7 LB DENSITY, CLOSED-CELL PVC FOAM TAPE (GASKA TAPE OR EQUIVALENT) APPLIED TO PLYWOOD SHEATHING
- ④ 2" WIDE GAPS FOR VENTING AT HORIZONTAL TO VERTICAL FOAM TAPE INTERFACES (VERTICAL FOAM TAPE TO BE CONTINUOUS FOR FULL HEIGHT OF WALL)
- ④A APPLY MASKING TAPE OVER ALL FOAM TAPE GAPS TO MAINTAIN SUBSTRATE DEPTH FOR SEALANT JOINT INSTALLATION
- ⑤ PECORA 896 PANEL ADHESIVE APPLIED IN 1/2" THICK LINES
- ⑥ METAL FLASHING FASTENED TO PLYWOOD SHEATHING
- ⑦ MEMBRANE OR FLUID-APPLIED AIR AND WATER BARRIER TO LAP OVER METAL FLASHING IN SHINGLE FASHION
- ⑧ CENTERLINE OF PANEL JOINTS
- ⑨ 600S162-54 (G60) STEEL STUDS AT 16" O.C. (BEHIND SHEATHING; BY OTHERS)

NOTE: SPACING SHOWN BETWEEN PANELS AND SUBSTRATES AND THICKNESS OF SOME PANEL SYSTEM COMPONENTS EXAGGERATED FOR CLARITY

Approved as complying with the Florida Building Code
Date 08/20/2015
NOA# 15-2427-11
Miami Dade Product Control
By *[Signature]*



SECTION A
TYPICAL VERTICAL JOINT DETAIL

- CONTINUOUS VERTICAL FOAM TAPE STRIPS APPLIED TO PLYWOOD SHEATHING AT 16" O.C. (HORIZONTAL SPACING), TYP.
- FOAM TAPE APPLIED TO PLYWOOD SHEATHING ALONG CENTERLINE OF PANEL JOINT. MAINTAIN 2" MIN. GAPS FOR VENTING AT INTERFACES WITH CONTINUOUS VERTICAL FOAM TAPE
- 1/2" JOINT W/ PECORA 896NST SILICONE SEALANT
- #10 X 1" PPH SCREW FASTENER INSTALLED AT EACH PANEL CLIP
- PANEL CLIPS AT 12" O.C., TYP.
- HENRY AIR-BLOCK 31MR FLUID-APPLIED AIR AND WATER BARRIER
- 6mm OMEGA-LITE PANEL, TYP.
- PECORA 896 SILICONE PANEL ADHESIVE (BEYOND) APPLIED TO PLYWOOD SHEATHING IN 1/2" THICK LINES ADJACENT TO FOAM TAPE
- PLYWOOD SHEATHING

PRODUCT REVISED
as complying with the Florida Building Code
NOA-No. **20-0720.03**
Expiration Date **08/20/2025**

By *[Signature]*
Miami-Dade Product Control

PRODUCT RENEWED
as complying with the Florida Building Code
NOA-No. 24-1119.01

Expiration Date Aug. 20, 2030

By *[Signature]*
Miami-Dade Product Control

REV. 0: 07/08/2015

File Name: MiamiDade LAM-OL-001

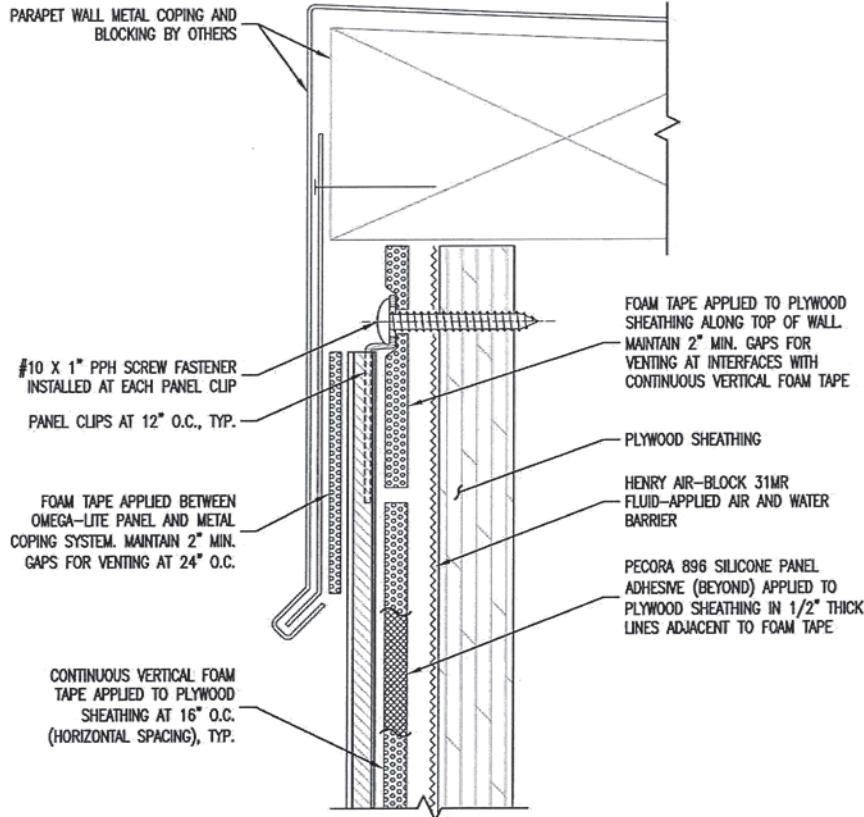
OMEGA PANEL PRODUCTS Ω
LAMINATORS INC.
www.LaminatorsInc.com 877.OMEGA.77

OMEGA-LITE® ACM WALL PANELS

CLIP AND CAULK INSTALLATION SYSTEM
OVER PLYWOOD SHEATHING

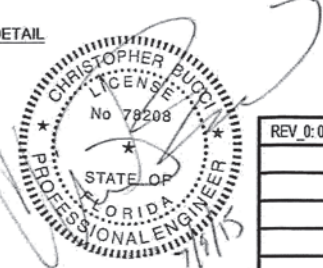
Date: 07/08/2015	Drawn By: JJM	Dwg. No.: LAM-OL-001	Page: 5 OF 21
------------------	---------------	----------------------	---------------

PARAPET WALL METAL COPING AND
BLOCKING BY OTHERS

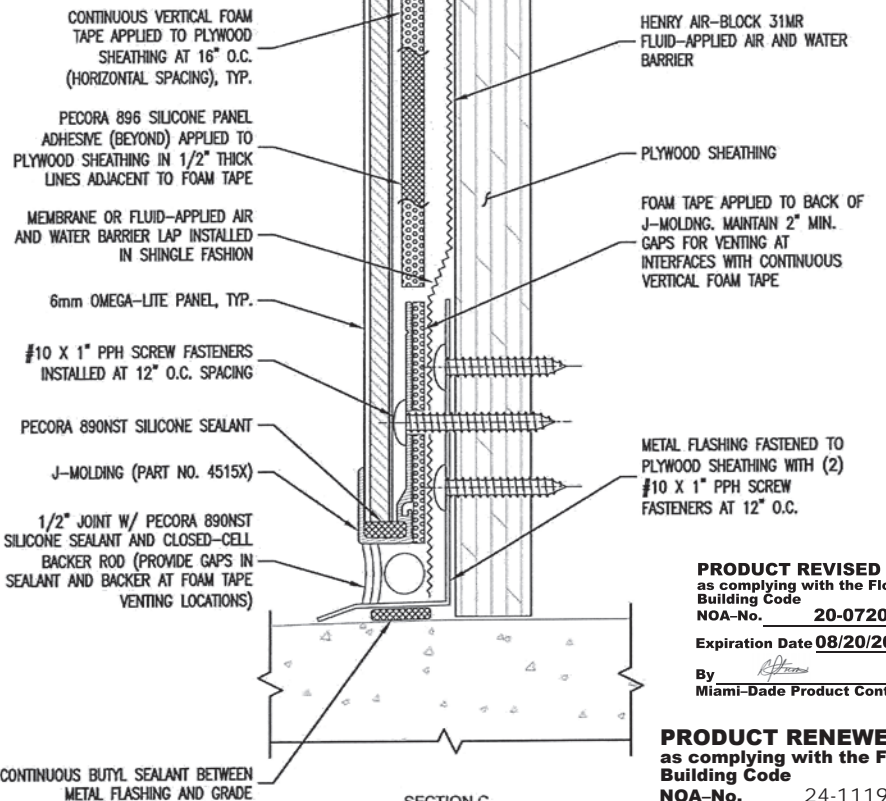


SECTION B
TYPICAL TOP OF WALL DETAIL

Approved as complying with the
Florida Building Code
Date 08/20/2015
NOA# 20-0720.03
Miami-Dade Product Control
By [Signature]



NOTE: SPACING SHOWN BETWEEN PANELS AND
SUBSTRATES AND THICKNESS OF SOME PANEL
SYSTEM COMPONENTS EXAGGERATED FOR CLARITY



SECTION C
TYPICAL GRADE DETAIL

File Name: MiamiDade LAM-OL-001

REV. 0: 07/08/2015



www.LaminatorsInc.com

877.OMEGA.77

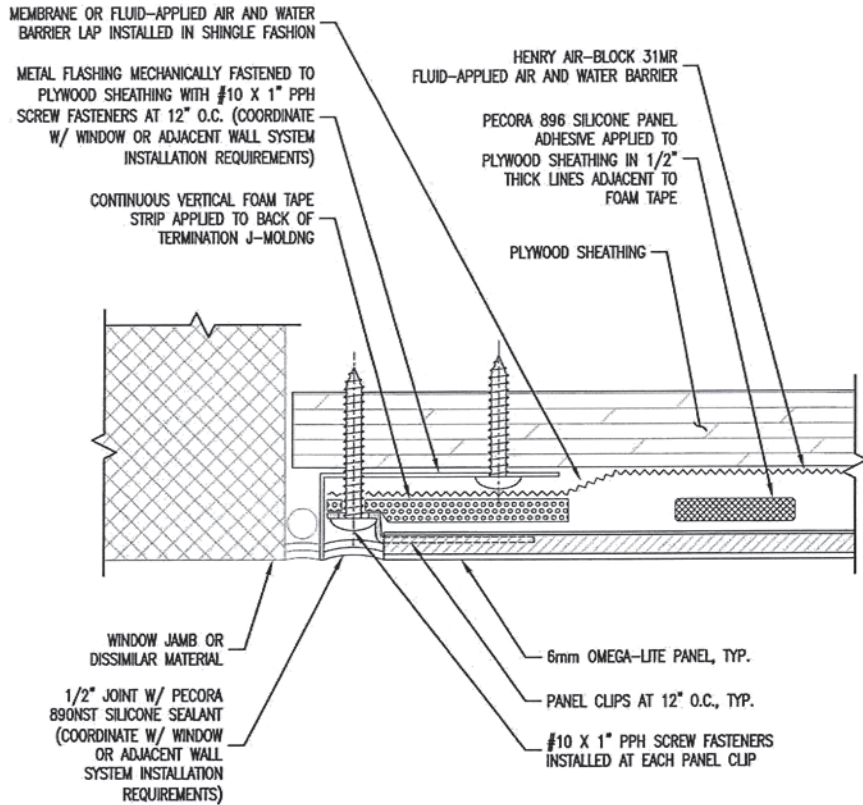
OMEGA-LITE® ACM WALL PANELS

CLIP AND CAULK INSTALLATION SYSTEM
OVER PLYWOOD SHEATHING

Date: 07/08/2015	Drawn By: JJM	Dwg. No.: LAM-OL-001	Page: 6 OF 21
---------------------	------------------	-------------------------	------------------

PRODUCT REVISED
as complying with the Florida
Building Code
NOA-No. 20-0720.03
Expiration Date 08/20/2025
By [Signature]
Miami-Dade Product Control

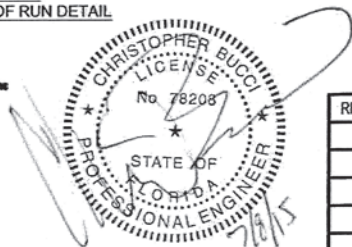
PRODUCT RENEWED
as complying with the Florida
Building Code
NOA-No. 24-1119.01
Expiration Date Aug. 20, 2030
By [Signature]
Miami-Dade Product Control



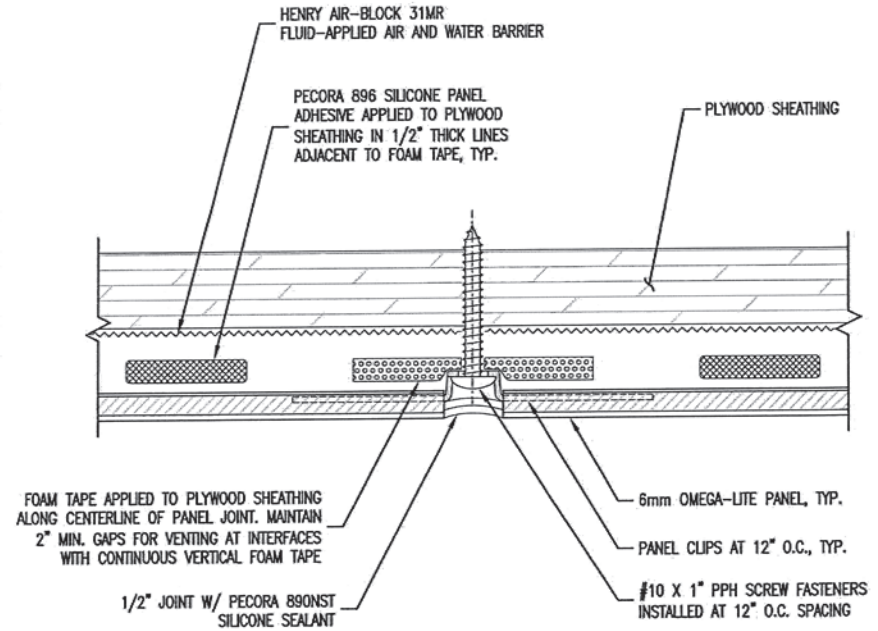
SECTION D
TYPICAL END OF RUN DETAIL

Approved as complying with the
Florida Building Code
Date 08/20/2015
NOA# 15-0285-11
Miami Dade Product Control

By *[Signature]*



NOTE: SPACING SHOWN BETWEEN PANELS AND SUBSTRATES AND THICKNESS OF SOME PANEL SYSTEM COMPONENTS EXAGGERATED FOR CLARITY



SECTION E
TYPICAL HORIZONTAL JOINT DETAIL

PRODUCT REVISED
as complying with the Florida
Building Code
NOA-No. 20-0720.03
Expiration Date 08/20/2025
By *[Signature]*
Miami-Dade Product Control

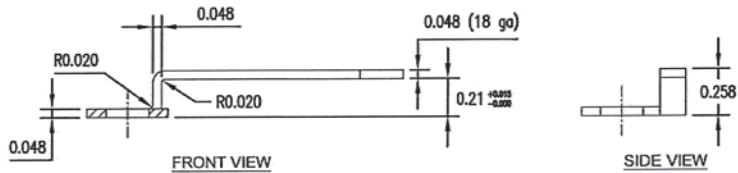
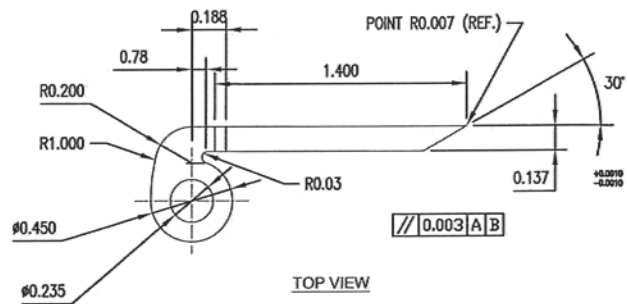
PRODUCT RENEWED
as complying with the Florida
Building Code
NOA-No. 24-1119.01
Expiration Date Aug. 20, 2030
By *[Signature]*
Miami-Dade Product Control

REV 0: 07/08/2015

File Name: MiamiDade LAM-OL-001

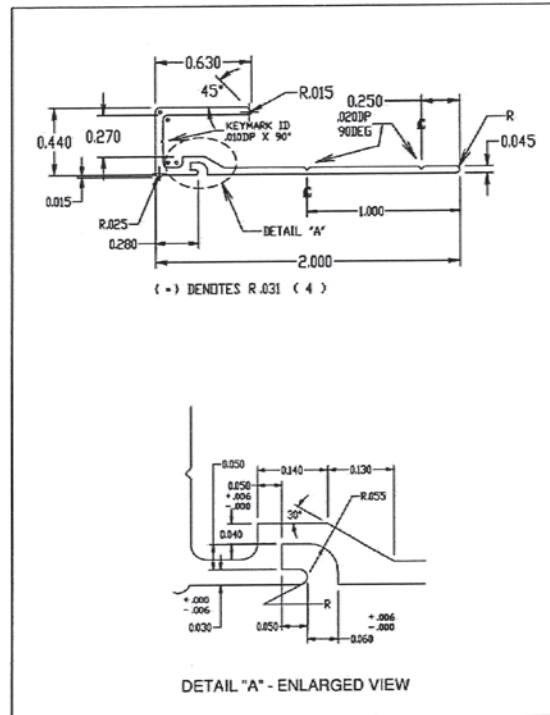
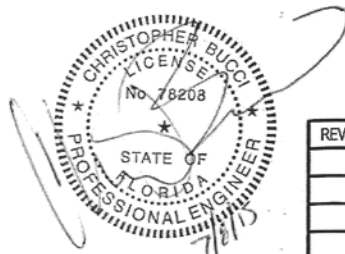
OMEGA PANEL PRODUCTS Ω
LAMINATORS INC.
www.LaminatorsInc.com 877.OMEGA.77

OMEGA-LITE® ACM WALL PANELS			
CLIP AND CAULK INSTALLATION SYSTEM OVER PLYWOOD SHEATHING			
Date: 07/08/2015	Drawn By: JJM	Dwg. No.: LAM-OL-001	Page: 7 OF 21



PANEL CLIP
PART NO. 50299FLAT
STEEL: 304 SS, $F_{y \min} = 31.2$ (ksi)

Approved as complying with the
Florida Building Code
Date: 08/20/2015
NOAJ 15-5489 TL
Miami Dade Product Control
By: *[Signature]*



J-MOLDING
PART NO. 4515X
ALUMINUM: 6063-T4

- NOTES:
1. ALL CORNERS .015 RADIUS UNLESS OTHERWISE NOTED
2. UNSPECIFIED WALL THICKNESS .050
3. NOT DRAWN TO SCALE

PRODUCT RENEWED
as complying with the Florida
Building Code

NOA-No. 24-1119.01

Expiration Date Aug. 20, 2030

By *[Signature]*
Miami-Dade Product Control

PRODUCT REVISED
as complying with the Florida
Building Code

NOA-No. 20-0720.03

Expiration Date 08/20/2025

By *[Signature]*
Miami-Dade Product Control

REV. 0: 07/08/2015

File Name: MiamiDade LAM-OL-001

OMEGA PANEL PRODUCTS Ω
LAMINATORS INC.

www.LaminatorsInc.com

877.OMEGA.77

OMEGA-LITE® ACM WALL PANELS

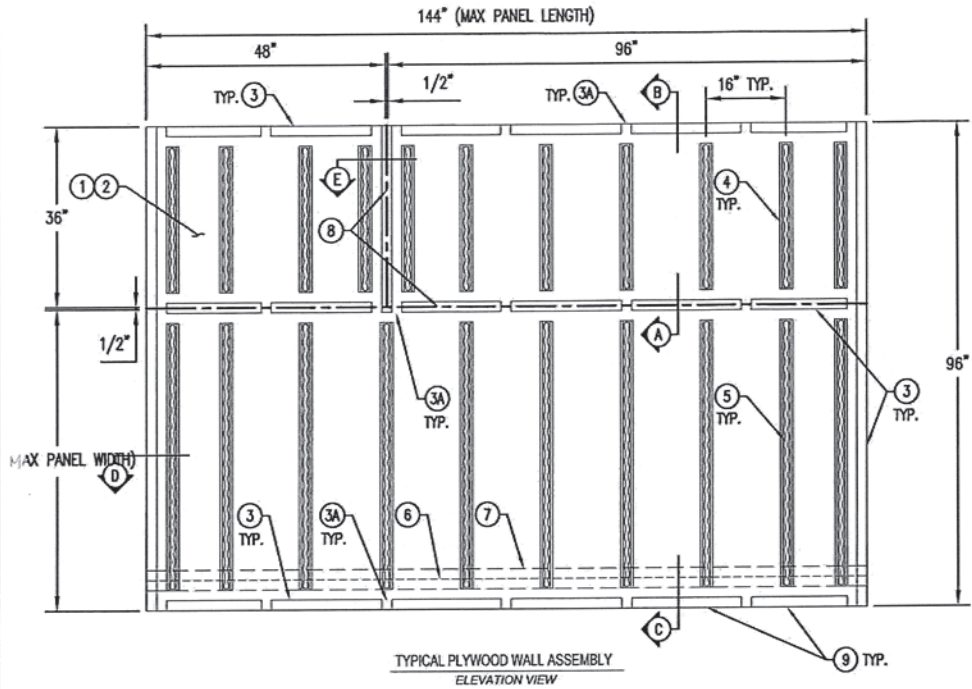
CLIP AND CAULK INSTALLATION SYSTEM
OVER PLYWOOD SHEATHING

Date:
07/08/2015

Drawn By:
JJM

Dwg. No.:
LAM-OL-001

Page:
8 OF 21

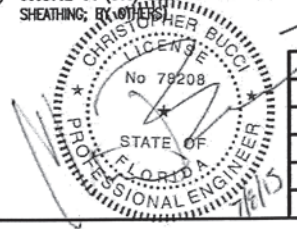


TYPICAL PLYWOOD WALL ASSEMBLY
ELEVATION VIEW
NOTE: PANELS NOT SHOWN FOR CLARITY.
PANEL DIMENSIONS ARE NOMINAL. DESIGN PRESSURE: ±120.0 PSF

- ① 5/8" PLYWOOD SHEATHING FASTENED TO STUDS WITH #10 SCREWS AT 6" O.C.
- ② HENRY AIR-BLOC 31MR FLUID-APPLIED AIR AND WATER BARRIER
- ③ 2" WIDE x 3/16" THICK, 7 LB DENSITY, CLOSED-CELL PVC FOAM TAPE (GASKA TAPE OR EQUIVALENT) APPLIED TO PLYWOOD SHEATHING
- ③A 2" WIDE GAPS IN FOAM TAPE FOR VENTING AT 24" O.C. (HORIZONTAL SPACING) AND AT INTERFACES WITH VERTICAL FOAM TAPE; VERTICAL FOAM TAPE AT EDGES AND PANEL JOINTS TO BE CONTINUOUS
- ④ 18 GA. 7/8" HAT CHANNELS INSTALLED AT 16" O.C. AND 3" FROM TOP AND BOTTOM PANEL EDGES (HATS AT PANEL SIDES INSTALLED TIGHT TO PANEL EDGE)
- ⑤ PECORA 896 PANEL ADHESIVE APPLIED IN 1/2" THICK LINES ALONG FULL LENGTH OF HAT CHANNELS
- ⑥ METAL FLASHING FASTENED TO PLYWOOD SHEATHING
- ⑦ MEMBRANE OR FLUID-APPLIED AIR AND WATER BARRIER TO LAP OVER METAL FLASHING IN SHINGLE FASHION
- ⑧ CENTERLINE OF PANEL JOINTS
- ⑨ 600S162-54 (G60) STEEL STUDS AT 16" O.C. (BEHIND SHEATHING; BY OTHERS)

NOTE: SPACING SHOWN BETWEEN PANELS AND SUBSTRATES AND THICKNESS OF SOME PANEL SYSTEM COMPONENTS EXAGGERATED FOR CLARITY

Approved as complying with the Florida Building Code
Date: 08/20/2015
NOA# 15-0459.11
Miami Dade Product Control
By: [Signature]

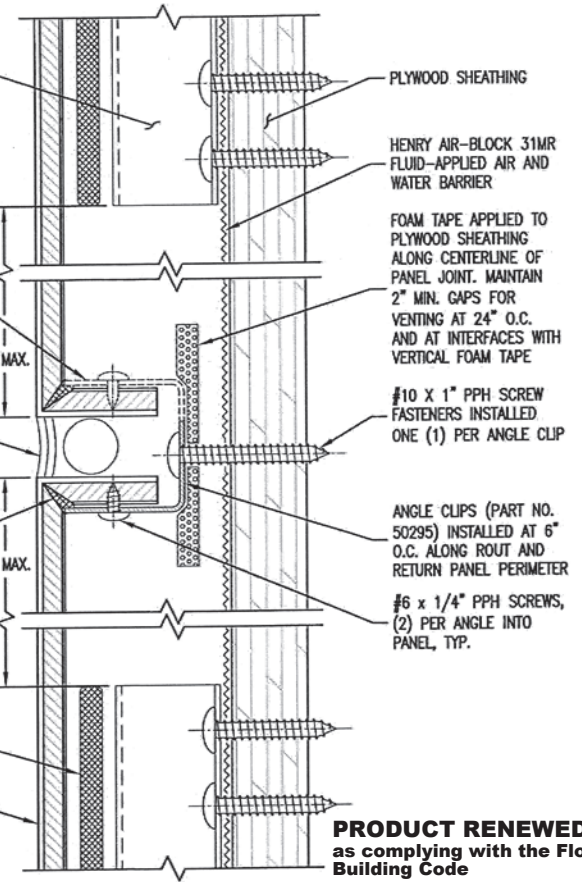


18 GA. 7/8" HAT CHANNELS (BEYOND) MECHANICALLY FASTENED TO PLYWOOD SHEATHING USING #10 X 1" PPH SCREW FASTENERS AT 12" O.C. ALONG HAT CHANNEL FLANGES W/ (4) FASTENERS AT EACH END, TYP.; HAT CHANNELS INSTALLED AT 16" O.C.

ANGLE CLIP BEYOND (FASTENING TO SHEATHING NOT SHOWN FOR CLARITY)
1/2" JOINT W/ PECORA 890NST SILICONE SEALANT AND CLOSED-CELL BACKER ROD (PROVIDE GAPS IN SEALANT AND BACKER AT FOAM TAPE VENTING LOCATIONS)
PECORA 860 SILICONE PANEL ADHESIVE APPLIED TO PANEL ROUT PRIOR TO BENDING TO FORM PANEL CORNER, TYP.

PECORA 896 SILICONE PANEL ADHESIVE APPLIED ALONG FULL LENGTH OF HAT CHANNELS IN 1/2" THICK LINES, TYP.

6mm OMEGA-LITE PANEL, TYP.
PRODUCT REVISED
as complying with the Florida Building Code
NOA-No. 20-0720.03
Expiration Date 08/20/2025
By [Signature]
Miami-Dade Product Control



SECTION A
TYPICAL VERTICAL JOINT DETAIL

PRODUCT RENEWED
as complying with the Florida Building Code
NOA-No. 24-1119.01
Expiration Date Aug. 20, 2030
By [Signature]
Miami-Dade Product Control

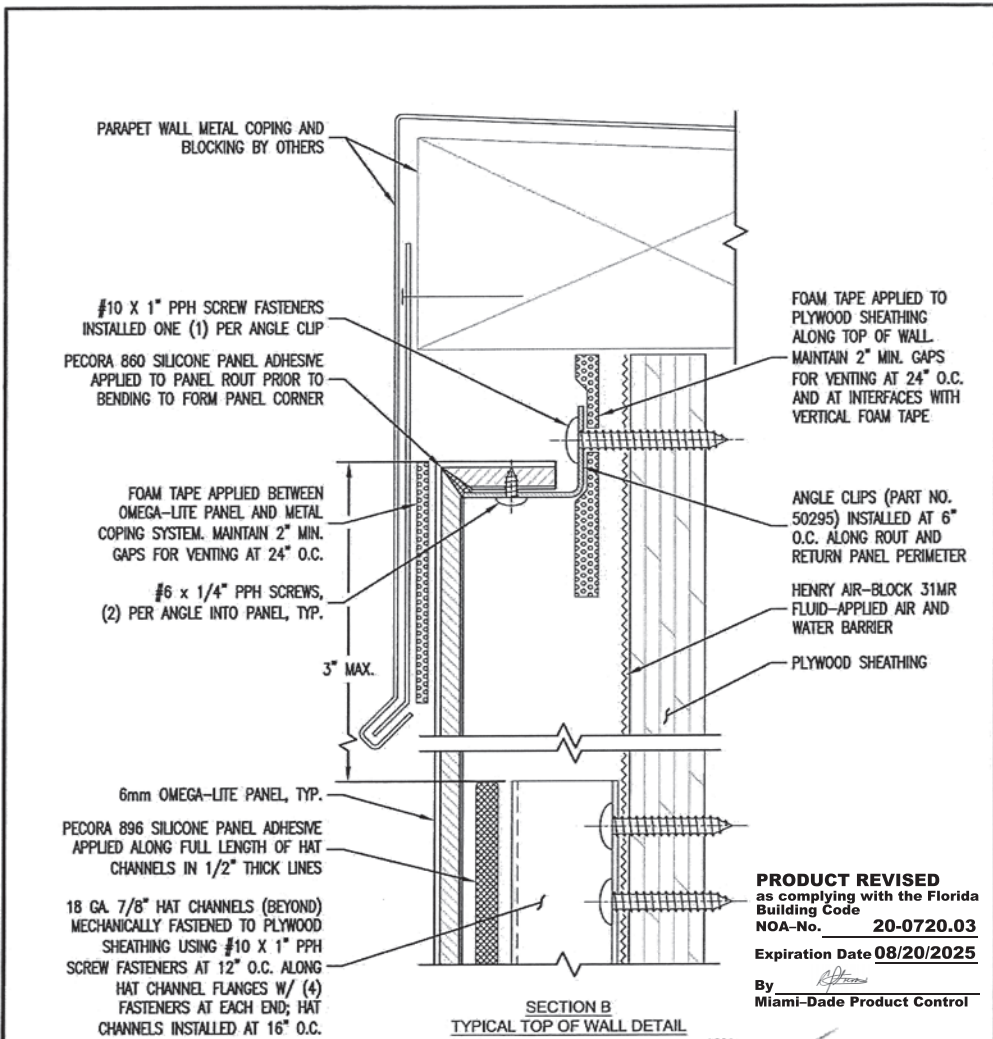
File Name: MiamiDade LAM-OL-001

REV 0: 07/08/2015

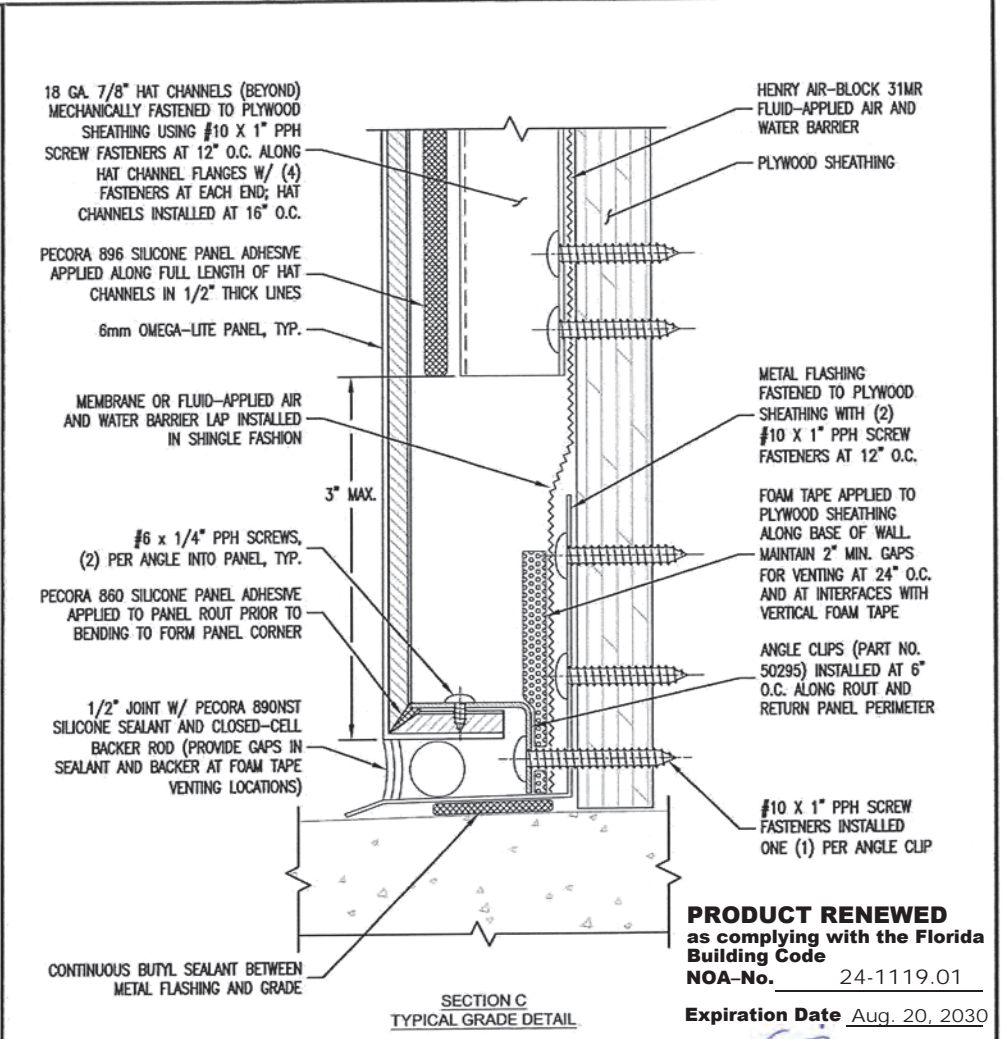
OMEGA PANEL PRODUCTS Ω
LAMINATORS INC.
www.LaminatorsInc.com 877.OMEGA.77

OMEGA-LITE® ACM WALL PANELS
ROUT AND RETURN INSTALLATION SYSTEM
OVER PLYWOOD SHEATHING

Date: 07/08/2015	Drawn By: JJM	Dwg. No.: LAM-OL-001	Page: 9 OF 21
------------------	---------------	----------------------	---------------



PRODUCT REVISED
as complying with the Florida Building Code
NOA-No. 20-0720.03
Expiration Date 08/20/2025
By [Signature]
Miami-Dade Product Control



PRODUCT RENEWED
as complying with the Florida Building Code
NOA-No. 24-1119.01
Expiration Date Aug. 20, 2030
By [Signature]
Miami-Dade Product Control

NOTE: SPACING SHOWN BETWEEN PANELS AND SUBSTRATES AND THICKNESS OF SOME PANEL SYSTEM COMPONENTS EXAGGERATED FOR CLARITY

Approved as complying with the Florida Building Code
Date 08/20/2015
NOA# 15-2409.11
Miami Dade Product Control
By [Signature]



REV. 0: 07/08/2015

File Name: MiamiDade LAM-OL-001

OMEGA PANEL PRODUCTS Ω

LAMINATORS INC.

www.LaminatorsInc.com 877.OMEGA.77

OMEGA-LITE® ACM WALL PANELS			
ROUT AND RETURN INSTALLATION SYSTEM OVER PLYWOOD SHEATHING			
Date: 07/08/2015	Drawn By: JJM	Dwg. No.: LAM-OL-001	Page: 10 OF 21

MEMBRANE OR FLUID-APPLIED AIR AND WATER BARRIER LAP INSTALLED IN SHINGLE FASHION

METAL FLASHING MECHANICALLY FASTENED TO PLYWOOD SHEATHING WITH #10 X 1" PPH SCREW FASTENERS AT 12" O.C. (COORDINATE W/ WINDOW OR ADJACENT WALL SYSTEM INSTALLATION REQUIREMENTS)

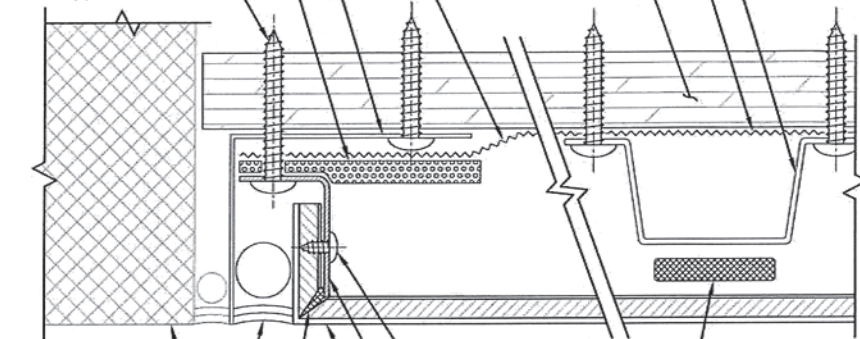
CONTINUOUS VERTICAL FOAM TAPE APPLIED TO PLYWOOD SHEATHING ALONG EDGE OF WALL

#10 X 1" PPH SCREW FASTENERS INSTALLED ONE (1) PER ANGLE CLIP

18 GA. 7/8" HAT CHANNELS MECHANICALLY FASTENED TO PLYWOOD SHEATHING USING #10 X 1" PPH SCREW FASTENERS AT 12" O.C. ALONG HAT CHANNEL FLANGES W/ (4) FASTENERS AT EACH END; HAT CHANNELS INSTALLED AT 16" O.C.

HENRY AIR-BLOCK 31MR FLUID-APPLIED AIR AND WATER BARRIER

PLYWOOD SHEATHING



WINDOW JAMB OR DISSIMILAR MATERIAL

1/2" JOINT W/ PECORA 890NST SILICONE SEALANT (COORDINATE W/ WINDOW OR ADJACENT WALL SYSTEM INSTALLATION REQUIREMENTS)

PECORA 860 SILICONE PANEL ADHESIVE APPLIED TO PANEL ROUT PRIOR TO BENDING TO FORM PANEL CORNER

#6 X 1/4" PPH SCREWS, (2) PER ANGLE INTO PANEL, TYP.

ANGLE CLIPS (PART NO. 50295) INSTALLED AT 6" O.C. ALONG ROUT AND RETURN PANEL PERIMETER

6mm OMEGA-LITE PANEL, TYP.

PECORA 896 SILICONE PANEL ADHESIVE APPLIED ALONG FULL LENGTH OF HAT CHANNELS IN 1/2" THICK LINES

SECTION D
TYPICAL END OF RUN DETAIL

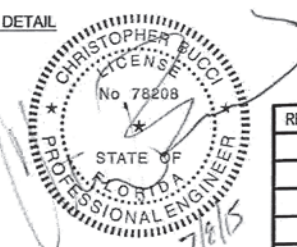
PRODUCT REVISED
as complying with the Florida Building Code
NOA-No. 20-0720.03

Expiration Date 08/20/2025

By *[Signature]*
Miami-Dade Product Control

NOTE: SPACING SHOWN BETWEEN PANELS AND SUBSTRATES AND THICKNESS OF SOME PANEL SYSTEM COMPONENTS EXAGGERATED FOR CLARITY

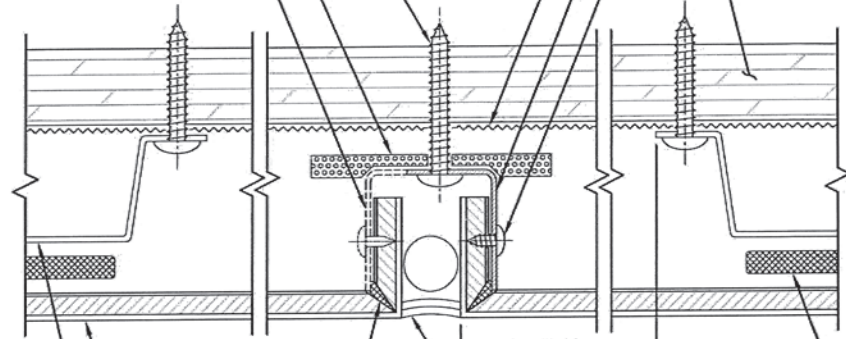
Approved as complying with the Florida Building Code
Date 08/20/2015
NOA# 15-2404.11
Miami-Dade Product Control
By *[Signature]*



#10 X 1" PPH SCREW FASTENERS INSTALLED ONE (1) PER ANGLE CLIP

CONTINUOUS VERTICAL FOAM TAPE APPLIED TO PLYWOOD SHEATHING ALONG CENTERLINE OF VERTICAL PANEL JOINT

ANGLE CLIP BEYOND (FASTENING TO SHEATHING NOT SHOWN FOR CLARITY)



6mm OMEGA-LITE PANEL, TYP.

PECORA 860 SILICONE PANEL ADHESIVE APPLIED TO PANEL ROUT PRIOR TO BENDING TO FORM PANEL CORNER, TYP.

18 GA. 7/8" HAT CHANNELS MECHANICALLY FASTENED TO PLYWOOD SHEATHING USING #10 X 1" PPH SCREW FASTENERS AT 12" O.C. ALONG HAT CHANNEL FLANGES W/ (4) FASTENERS AT EACH END, TYP.; HAT CHANNELS INSTALLED AT 16" O.C.

HENRY AIR-BLOCK 31MR FLUID-APPLIED AIR AND WATER BARRIER

ANGLE CLIPS (PART NO. 50295) INSTALLED AT 6" O.C. ALONG ROUT AND RETURN PANEL PERIMETER

#6 X 1/4" PPH SCREWS, (2) PER ANGLE INTO PANEL, TYP.

PLYWOOD SHEATHING

3" MAX. (TYP.)

PECORA 896 SILICONE PANEL ADHESIVE APPLIED ALONG FULL LENGTH OF HAT CHANNELS IN 1/2" THICK LINES, TYP.

1/2" JOINT W/ PECORA 890NST SILICONE SEALANT AND CLOSED-CELL BACKER ROD

SECTION E
TYPICAL HORIZONTAL JOINT DETAIL

PRODUCT RENEWED
as complying with the Florida Building Code
NOA-No. 24-1119.01

Expiration Date Aug. 20, 2030

By *[Signature]*
Miami-Dade Product Control

REV. 0: 07/08/2015

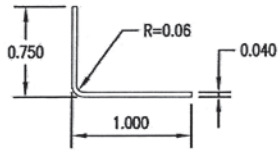
File Name: MiamiDade LAM-OL-001

OMEGA PANEL PRODUCTS Ω
LAMINATORS INC.
www.LaminatorsInc.com 877.OMEGA.77

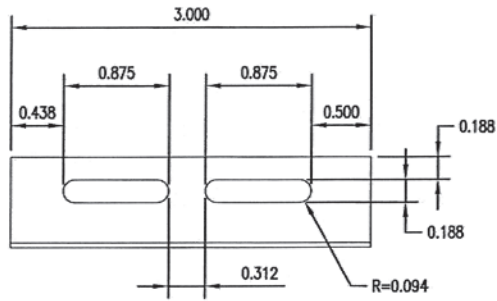
OMEGA-LITE® ACM WALL PANELS

ROUT AND RETURN INSTALLATION SYSTEM OVER PLYWOOD SHEATHING

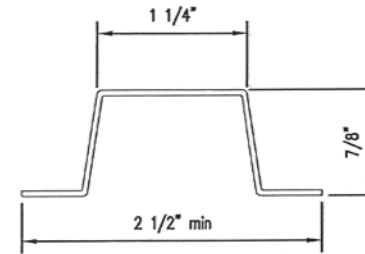
Date: 07/08/2015	Drawn By: JJM	Dwg. No.: LAM-OL-001	Page: 11 OF 21
------------------	---------------	----------------------	----------------



SIDE VIEW



FRONT VIEW



7/8" HAT CHANNEL
SSMA: 087F125-43
STEEL: A653 (G60), $F_{ymin} = 33$ ksi

ANGLE CLIP
PART NO. 50295
ALUMINUM: 3003-H14

Approved as complying with the
Florida Building Code
Date 08/20/2015
NOA# 15-0097.11
Miami-Dade Product Control
By *[Signature]*



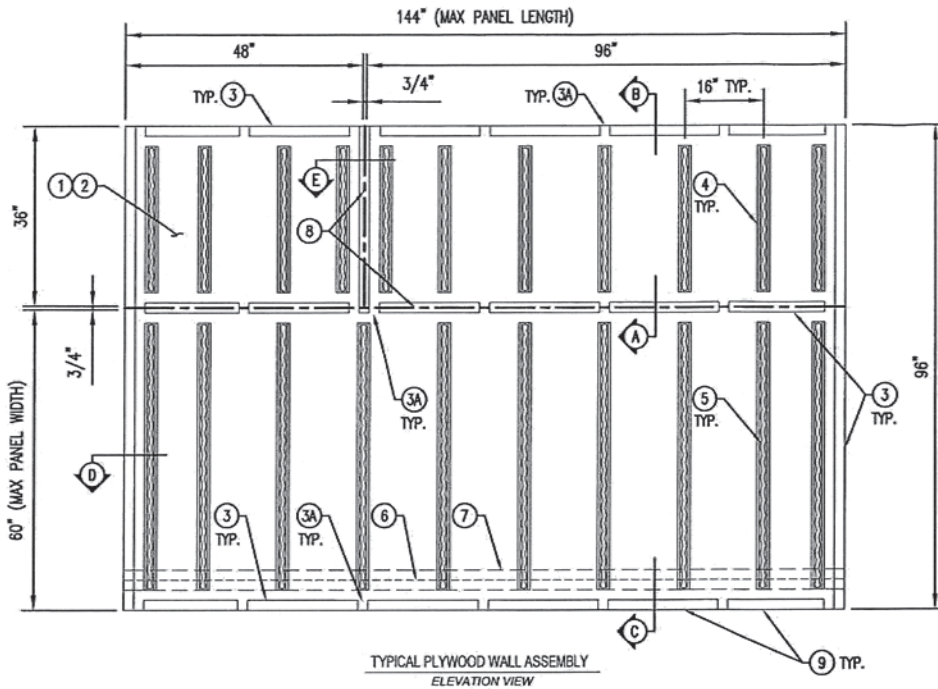
PRODUCT REVISED
as complying with the Florida
Building Code
NOA-No. **20-0720.03**
Expiration Date **08/20/2025**

PRODUCT RENEWED
as complying with the Florida
Building Code
NOA-No. 24-1119.01
Expiration Date Aug. 20, 2030

By *[Signature]*
Miami-Dade Product Control

By *[Signature]*
Miami-Dade Product Control

REV. 0: 07/08/2015	File Name: MiamiDade LAM-OL-001	OMEGA PANEL PRODUCTS Ω		
		LAMINATORS INC.		
		www.LaminatorsInc.com 877.OMEGA.77		
		OMEGA-LITE® ACM WALL PANELS		
		CLIP AND CAULK INSTALLATION SYSTEM OVER PLYWOOD SHEATHING		
Date: 07/08/2015	Drawn By: JJM	Dwg. No.: LAM-OL-001	Page: 12 OF 21	



TYPICAL PLYWOOD WALL ASSEMBLY
ELEVATION VIEW

NOTE: PANELS AND EXTRUSIONS NOT SHOWN FOR CLARITY. PANEL DIMENSIONS ARE NOMINAL.

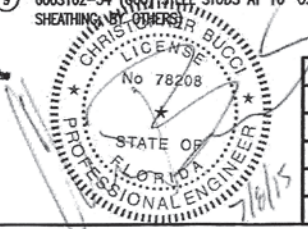
DESIGN PRESSURE: ±120.0 PSF

- ① 5/8" PLYWOOD SHEATHING FASTENED TO STUDS WITH #10 SCREWS AT 6" O.C.
- ② HENRY AIR-BLOC 31MR FLUID-APPLIED AIR AND WATER BARRIER
- ③ 2" WIDE x 3/16" THICK, 7 LB DENSITY, CLOSED-CELL PVC FOAM TAPE (GASKA TAPE OR EQUIVALENT) APPLIED TO PLYWOOD SHEATHING
- ③A 2" WIDE GAPS IN FOAM TAPE FOR VENTING AT 24" O.C. (HORIZONTAL SPACING) AND AT INTERFACES WITH VERTICAL FOAM TAPE; VERTICAL FOAM TAPE AT EDGES AND PANEL JOINTS TO BE CONTINUOUS
- ④ 18 GA. 1-1/2" HAT CHANNELS INSTALLED AT 16" O.C. AND 3" FROM TOP AND BOTTOM PANEL EDGES (HATS AT PANEL SIDES INSTALLED TIGHT TO PANEL EDGE)
- ⑤ PECORA 896 PANEL ADHESIVE APPLIED IN 1/2" THICK LINES ALONG FULL LENGTH OF HAT CHANNELS
- ⑥ METAL FLASHING FASTENED TO PLYWOOD SHEATHING
- ⑦ MEMBRANE OR FLUID-APPLIED AIR AND WATER BARRIER TO LAP OVER METAL FLASHING IN SHINGLE FASHION
- ⑧ CENTERLINE OF PANEL JOINTS
- ⑨ 600S162-54 (690) STEEL STUDS AT 16" O.C. (BEHIND SHEATHING BY OTHERS)

NOTE: SPACING SHOWN BETWEEN PANELS AND SUBSTRATES AND THICKNESS OF SOME PANEL SYSTEM COMPONENTS EXAGGERATED FOR CLARITY

Approved as complying with the Florida Building Code
Date: 08/20/2015
NOAR 12-0447.1
Miami Dade Product Control

By: *[Signature]*



REV. 0: 07/08/2015

18 GA. 1-1/2" HAT CHANNELS (BEYOND) MECHANICALLY FASTENED TO PLYWOOD SHEATHING USING #10 X 1" PPH SCREW FASTENERS AT 6" O.C. ALONG HAT CHANNEL FLANGES W/ (4) FASTENERS AT EACH END; HAT CHANNELS INSTALLED AT 16" O.C.

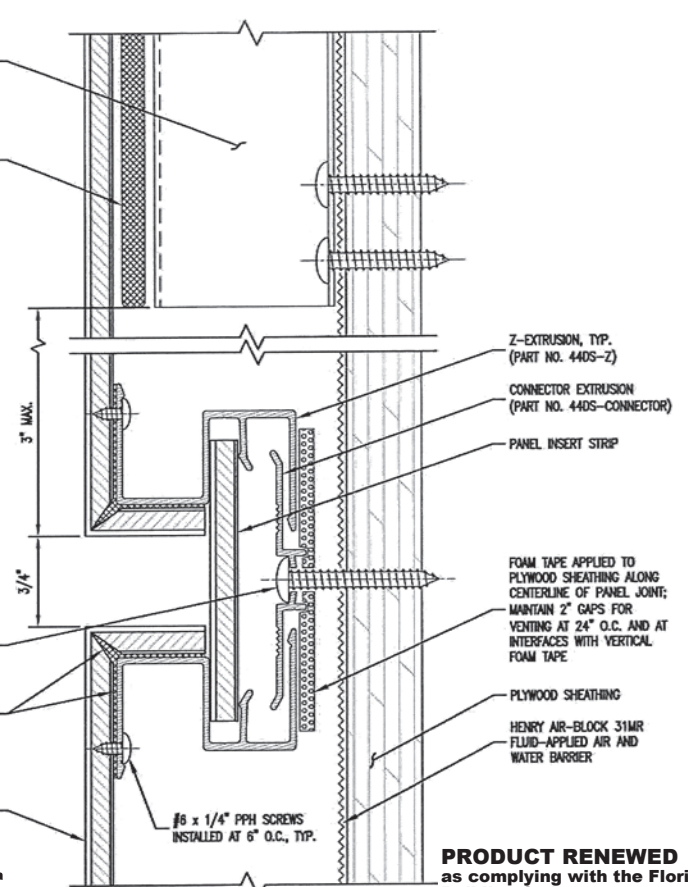
PECORA 896 SILICONE PANEL ADHESIVE APPLIED ALONG FULL LENGTH OF HAT CHANNELS IN 1/2" THICK LINES

#10 X 1" PPH SCREW FASTENERS INSTALLED AT 6" O.C., TYP.

PECORA 860 SILICONE PANEL ADHESIVE APPLIED TO PANEL ROUF PRIOR TO BENDING TO FORM PANEL CORNER AND APPLIED BETWEEN FORMED PANEL CORNER AND Z-EXTRUSION, TYP.

6mm OMEGA-LITE PANEL, TYP.

PRODUCT REVISED
as complying with the Florida Building Code
NOA-No. **20-0720.03**
Expiration Date **08/20/2025**
By *[Signature]*
Miami-Dade Product Control



SECTION A
TYPICAL VERTICAL JOINT DETAIL

PRODUCT RENEWED
as complying with the Florida Building Code
NOA-No. 24-1119.01
Expiration Date Aug. 20, 2030
By *[Signature]*
Miami-Dade Product Control

File Name: MiamiDade LAM-OL-001

OMEGA PANEL PRODUCTS Ω

LAMINATORS INC.

www.LaminatorsInc.com 877.OMEGA.77

OMEGA-LITE® ACM WALL PANELS

DRY SEAL INSTALLATION SYSTEM
OVER PLYWOOD SHEATHING

Date: 07/08/2015	Drawn By: JJM	Dwg. No.: LAM-OL-001	Page: 13 OF 21
------------------	---------------	----------------------	----------------

PARAPET WALL METAL COPING AND BLOCKING BY OTHERS

#10 X 1" PPH SCREW FASTENERS INSTALLED AT 6" O.C., TYP.

END-OF-RUN/STARTER EXTRUSION (PART NO. 44DS-ENDRUN)

PECORA 860 SILICONE PANEL ADHESIVE APPLIED TO PANEL ROUT PRIOR TO BENDING TO FORM PANEL CORNER AND APPLIED BETWEEN FORMED PANEL CORNER AND Z-EXTRUSION, TYP.

FOAM TAPE APPLIED BETWEEN OMEGA-LITE PANEL AND METAL COPING SYSTEM. MAINTAIN 2" MIN. GAPS FOR VENTING AT 24" O.C.

3" MAX.

#8 x 1/4" PPH SCREWS INSTALLED AT 6" O.C., TYP.

FOAM TAPE APPLIED TO PLYWOOD SHEATHING ALONG TOP OF WALL; MAINTAIN 2" GAPS FOR VENTING AT 24" O.C. AND AT INTERFACES WITH VERTICAL FOAM TAPE

Z-EXTRUSION (PART NO. 44DS-Z)

PLYWOOD SHEATHING

HENRY AIR-BLOCK 31MR FLUID-APPLIED AIR AND WATER BARRIER

6mm OMEGA-LITE PANEL, TYP.

PECORA 860 SILICONE PANEL ADHESIVE APPLIED ALONG FULL LENGTH OF HAT CHANNELS IN 1/2" THICK LINES

18 GA. 1-1/2" HAT CHANNELS MECHANICALLY FASTENED TO PLYWOOD SHEATHING USING #10 X 1" PPH SCREW FASTENERS AT 6" O.C. ALONG HAT CHANNEL FLANGES W/ (4) FASTENERS AT EACH END; HAT CHANNELS INSTALLED AT 16" O.C.

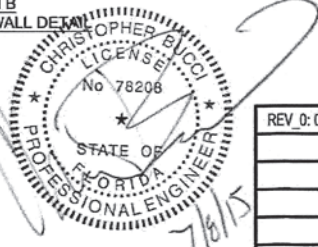
SECTION B
TYPICAL TOP OF WALL DETAIL

PRODUCT REVISED
as complying with the Florida Building Code
NOA-No. **20-0720.03**

Expiration Date **08/20/2025**

By *[Signature]*
Miami-Dade Product Control

Approved as complying with the Florida Building Code
Date **08/20/2015**
NOA# **15-0409.11**
Miami-Dade Product Control
By *[Signature]*



NOTE: SPACING SHOWN BETWEEN PANELS AND SUBSTRATES AND THICKNESS OF SOME PANEL SYSTEM COMPONENTS EXAGGERATED FOR CLARITY

18 GA. 1-1/2" HAT CHANNELS (BEYOND) MECHANICALLY FASTENED TO PLYWOOD SHEATHING USING #10 X 1" PPH SCREW FASTENERS AT 6" O.C. ALONG HAT CHANNEL FLANGES W/ (4) FASTENERS AT EACH END; HAT CHANNELS INSTALLED AT 16" O.C.

PECORA 860 SILICONE PANEL ADHESIVE APPLIED ALONG FULL LENGTH OF HAT CHANNELS IN 1/2" THICK LINES

6mm OMEGA-LITE PANEL, TYP.

PECORA 860 SILICONE PANEL ADHESIVE APPLIED TO PANEL ROUT PRIOR TO BENDING TO FORM PANEL CORNER AND APPLIED BETWEEN FORMED PANEL CORNER AND Z-EXTRUSION, TYP.

PANEL INSERT STRIP

CONTINUOUS BUTYL SEALANT BETWEEN METAL FLASHING AND GRADE

SECTION C
TYPICAL GRADE DETAIL

HENRY AIR-BLOCK 31MR FLUID-APPLIED AIR AND WATER BARRIER

PLYWOOD SHEATHING

MEMBRANE OR FLUID-APPLIED AIR AND WATER BARRIER LAP INSTALLED IN SHINGLE FASHION

FOAM TAPE APPLIED TO PLYWOOD SHEATHING ALONG BOTTOM OF WALL; MAINTAIN 2" GAPS FOR VENTING AT 24" O.C. AND AT INTERFACES WITH VERTICAL FOAM TAPE

END-OF-RUN/STARTER EXTRUSION (PART NO. 44DS-ENDRUN)

3" LONG, 5/8" X 1/2" FOAM TAPE AT 36" O.C. BETWEEN PANEL INSERT STRIP AND END-OF-RUN/STARTER EXTRUSION

#10 X 1" PPH SCREW FASTENERS INSTALLED AT 6" O.C., TYP.

METAL FLASHING FASTENED TO PLYWOOD SHEATHING WITH (2) #10 X 1" PPH SCREW FASTENERS AT 12" O.C.

PRODUCT RENEWED
as complying with the Florida Building Code
NOA-No. **24-1119.01**

Expiration Date **Aug. 20, 2030**

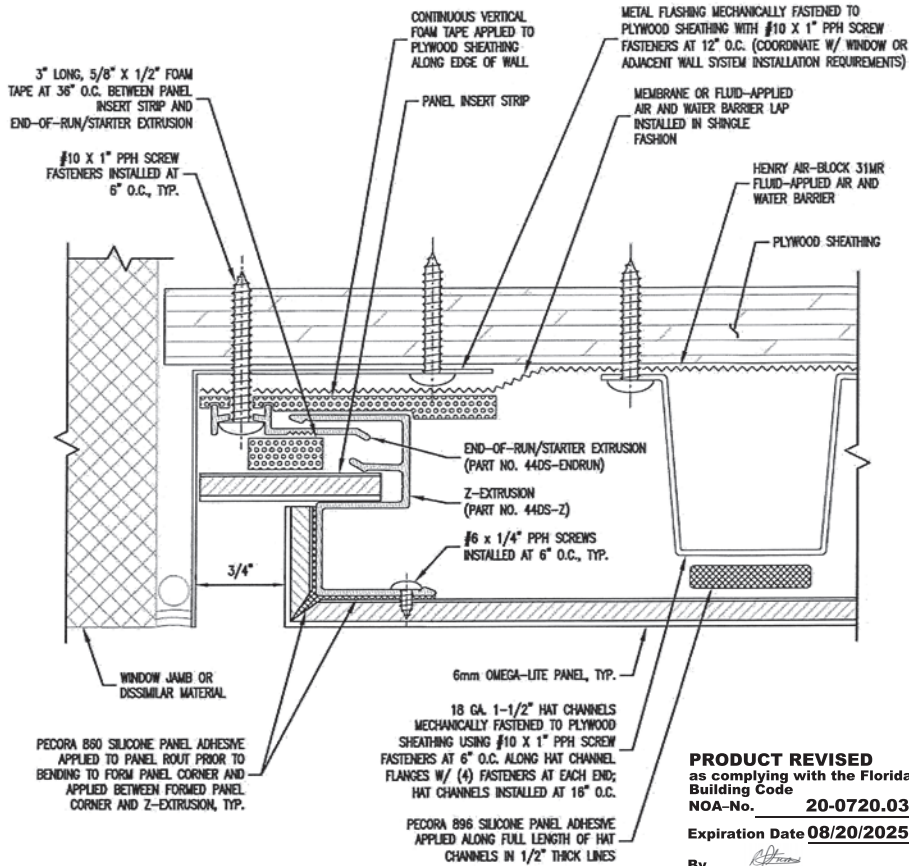
By *[Signature]*
Miami-Dade Product Control

REV. 0: 07/08/2015

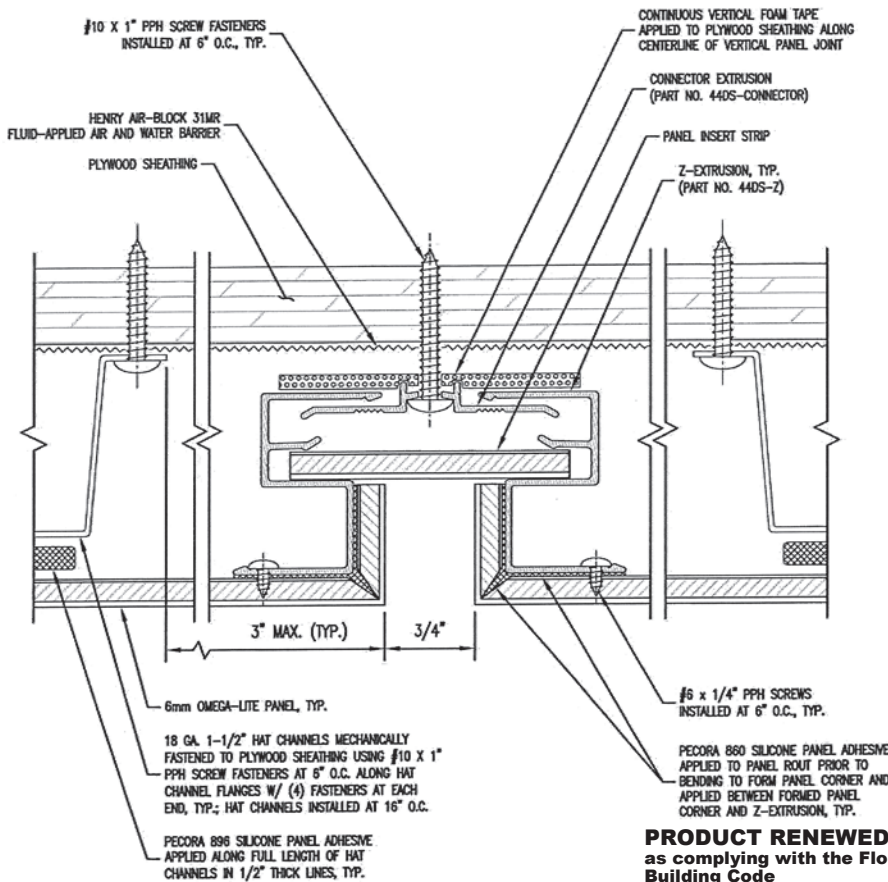
File Name: MiamiDade LAM-OL-001

OMEGA PANEL PRODUCTS Ω
LAMINATORS INC.
www.LaminatorsInc.com 877.OMEGA.77

OMEGA-LITE® ACM WALL PANELS
DRY SEAL INSTALLATION SYSTEM
OVER PLYWOOD SHEATHING
Date: 07/08/2015 Drawn By: JJM Dwg. No.: LAM-OL-001 Page: 14 OF 21



SECTION D
TYPICAL END OF RUN DETAIL

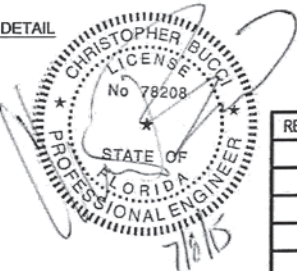


SECTION E
TYPICAL HORIZONTAL JOINT DETAIL

PRODUCT REVISED
as complying with the Florida
Building Code
NOA-No. **20-0720.03**
Expiration Date **08/20/2025**
By *[Signature]*
Miami-Dade Product Control

PRODUCT RENEWED
as complying with the Florida
Building Code
NOA-No. **24-1119.01**
Expiration Date **Aug. 20, 2030**
By *[Signature]*
Miami-Dade Product Control

Approved as complying with the
Florida Building Code
Date **08/20/2015**
NOA# **15-0424.11**
Miami-Dade Product Control
By *[Signature]*



NOTE: SPACING SHOWN BETWEEN PANELS AND SUBSTRATES AND THICKNESS OF SOME PANEL SYSTEM COMPONENTS EXAGGERATED FOR CLARITY

REV. 0: 07/08/2015

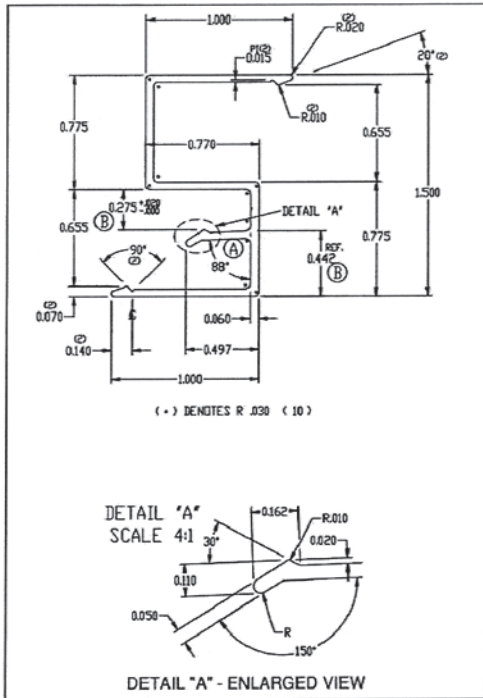
File Name: MiamiDade LAM-OL-001

OMEGA PANEL PRODUCTS Ω

LAMINATORS INC.

www.LaminatorsInc.com 877.OMEGA.77

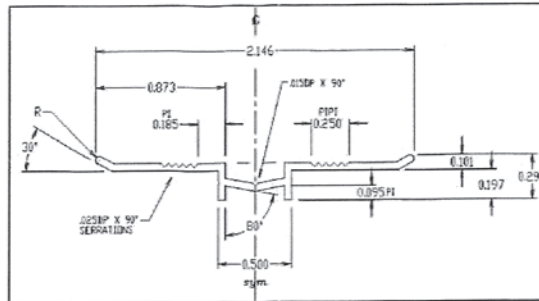
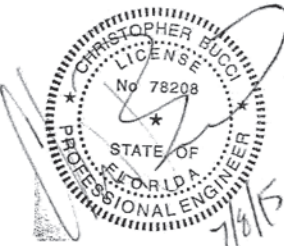
OMEGA-LITE® ACM WALL PANELS			
DRY SEAL INSTALLATION SYSTEM OVER PLYWOOD SHEATHING			
Date: 07/08/2015	Drawn By: JUM	Dwg. No.: LAM-OL-001	Page: 15 OF 21



Z-EXTRUSION
PART NO. 44DS-Z
ALUMINUM: 6063-T6

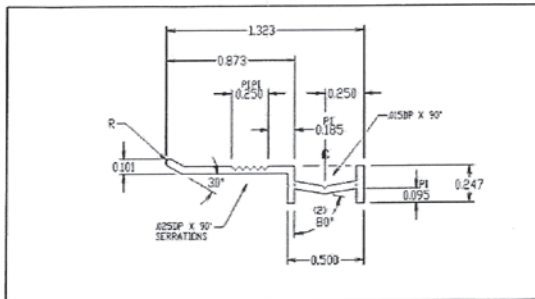
- NOTES:
1. ALL CORNERS .015 RADIUS UNLESS OTHERWISE NOTED
2. UNSPECIFIED WALL THICKNESS .050
3. NOT DRAWN TO SCALE

Approved as complying with the
Florida Building Code
Date: 08/20/2015
NOA# 15-0429-11
Miami Dade Product Control
By: [Signature]



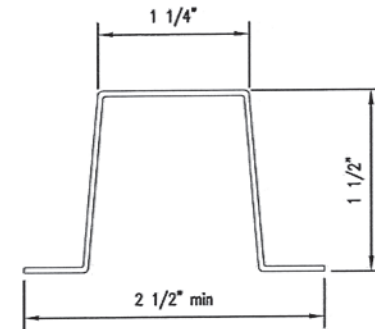
CONNECTOR EXTRUSION
PART NO. 44DS-CONNECTOR
ALUMINUM: 6063-T6

- NOTES:
1. ALL CORNERS .015 RADIUS UNLESS OTHERWISE NOTED
2. UNSPECIFIED WALL THICKNESS .050
3. NOT DRAWN TO SCALE



END-OF-RUN / STARTER EXTRUSION
PART NO. 44DS-ENDRUN
ALUMINUM: 6063-T6

- NOTES:
1. ALL CORNERS .015 RADIUS UNLESS OTHERWISE NOTED
2. UNSPECIFIED WALL THICKNESS .050
3. NOT DRAWN TO SCALE

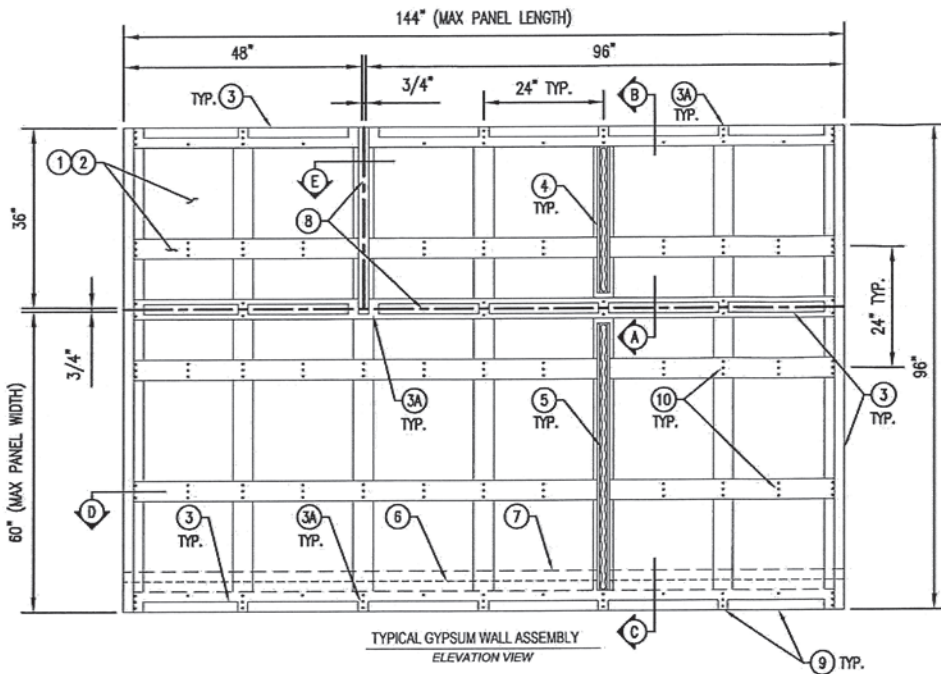


1 1/2" HAT CHANNEL
SSMA: 150F125-43
STEEL: A653 (G60), F_{ymin} = 33 ksi

PRODUCT REVISED
as complying with the Florida
Building Code
NOA-No. 20-0720.03
Expiration Date 08/20/2025
By: [Signature]
Miami-Dade Product Control

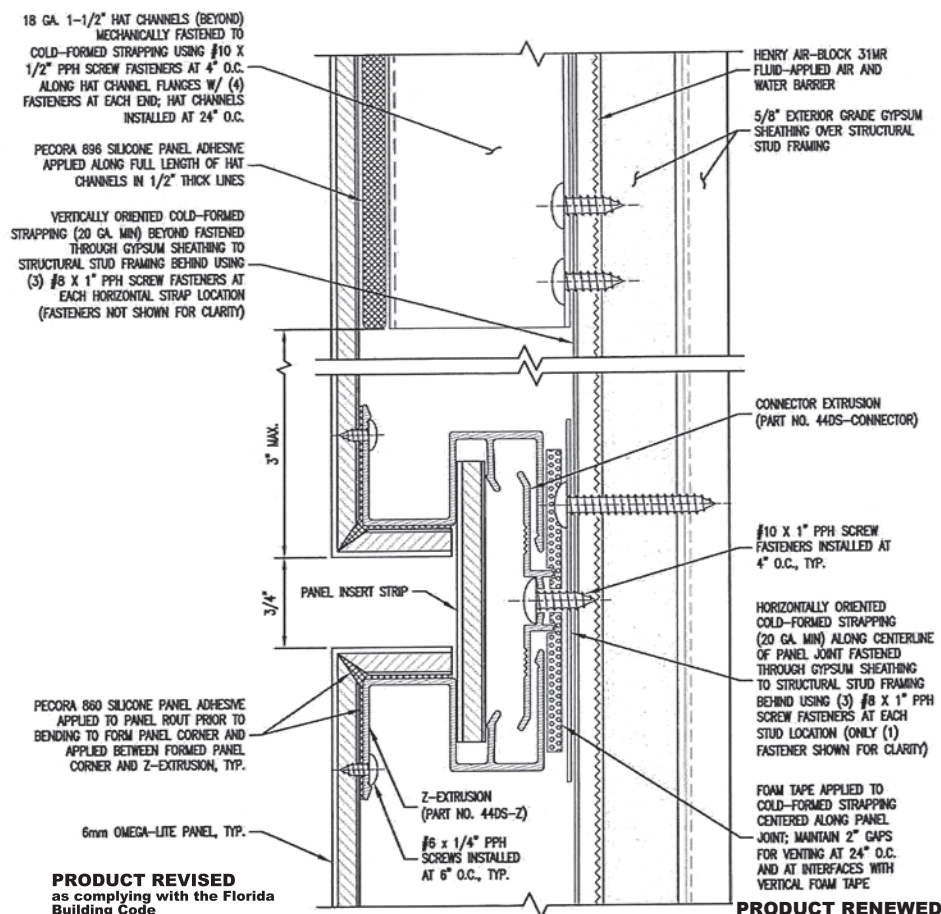
PRODUCT RENEWED
as complying with the Florida
Building Code
NOA-No. 24-1119.01
Expiration Date Aug. 20, 2030
By: [Signature]
Miami-Dade Product Control

REV. 0: 07/08/2015	File Name: MiamiDade LAM-OL-001	OMEGA PANEL PRODUCTS Ω		OMEGA-LITE® ACM WALL PANELS	
		LAMINATORS INC.		DRY SEAL INSTALLATION SYSTEM OVER PLYWOOD SHEATHING	
		www.LaminatorsInc.com		877.OMEGA.77	
		Date: 07/08/2015	Drawn By: JJM	Dwg. No.: LAM-OL-001	Page: 16 OF 21



TYPICAL GYPSUM WALL ASSEMBLY ELEVATION VIEW
 NOTE: PANELS AND EXTRUSIONS AND ALL HAT CHANNELS NOT SHOWN FOR CLARITY. PANEL DIMENSIONS ARE NOMINAL. DESIGN PRESSURE: ±120.0 PSF

- ① 5/8" TYPE X, GLASSMAT-FACED EXTERIOR GRADE GYPSUM SHEATHING FASTENED WITH #6 BH SCREWS AT 4" O.C. WITH 4" 20 GA. COLD-FORMED STRAPPING MECHANICALLY FASTENED TO COLD-FORMED FRAMING IN 2' x 2' GRID (ADDITIONAL STRAPPING INSTALLED ALONG HORIZONTAL PANEL JOINT)
- ② HENRY AIR-BLOC 31MR FLUID-APPLIED AIR AND WATER BARRIER
- ③ 2" WIDE x 3/16" THICK, 7 LB DENSITY, CLOSED-CELL PVC FOAM TAPE (GASKA TAPE OR EQUIVALENT) APPLIED TO PLYWOOD SHEATHING
- ③A 2" WIDE GAPS IN FOAM TAPE FOR VENTING AT 24" O.C. (HORIZONTAL SPACING) AND AT INTERFACES WITH VERTICAL FOAM TAPE; VERTICAL FOAM TAPE AT EDGES AND PANEL JOINTS TO BE CONTINUOUS
- ④ 18 GA. 1-1/2" HAT CHANNELS INSTALLED AT 16" O.C. AND 3" FROM TOP AND BOTTOM PANEL EDGES (HATS AT PANEL SIDES INSTALLED TIGHT TO PANEL EDGE)
- ⑤ PECORA 896 PANEL ADHESIVE APPLIED IN 1/2" THICK LINES ALONG FULL LENGTH OF HAT CHANNELS
- ⑥ METAL FLASHING FASTENED TO PLYWOOD SHEATHING
- ⑦ MEMBRANE OR FLUID-APPLIED AIR AND WATER BARRIER TO LAP OVER METAL FLASHING IN SHINGLE FASHION
- ⑧ CENTERLINE OF PANEL JOINTS
- ⑨ 600S182-54 (G60) STEEL STUDS AT 16" O.C. (BEHIND SHEATHING; BY OTHERS)
- ⑩ THREE (3) #8 x 1" PPH SCREWS AT EACH STUD LOCATION

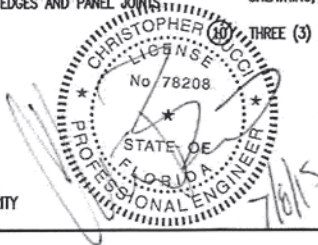


PRODUCT REVISED as complying with the Florida Building Code
 NOA-No. **20-0720.03**
 Expiration Date **08/20/2025**
 By *[Signature]*
 Miami-Dade Product Control

SECTION A
 TYPICAL VERTICAL JOINT DETAIL

PRODUCT RENEWED as complying with the Florida Building Code
 NOA-No. **24-1119.01**
 Expiration Date **Aug. 20, 2030**
 By *[Signature]*
 Miami-Dade Product Control

NOTE: SPACING SHOWN BETWEEN PANELS AND SUBSTRATES AND THICKNESS OF SOME PANEL SYSTEM COMPONENTS EXAGGERATED FOR CLARITY

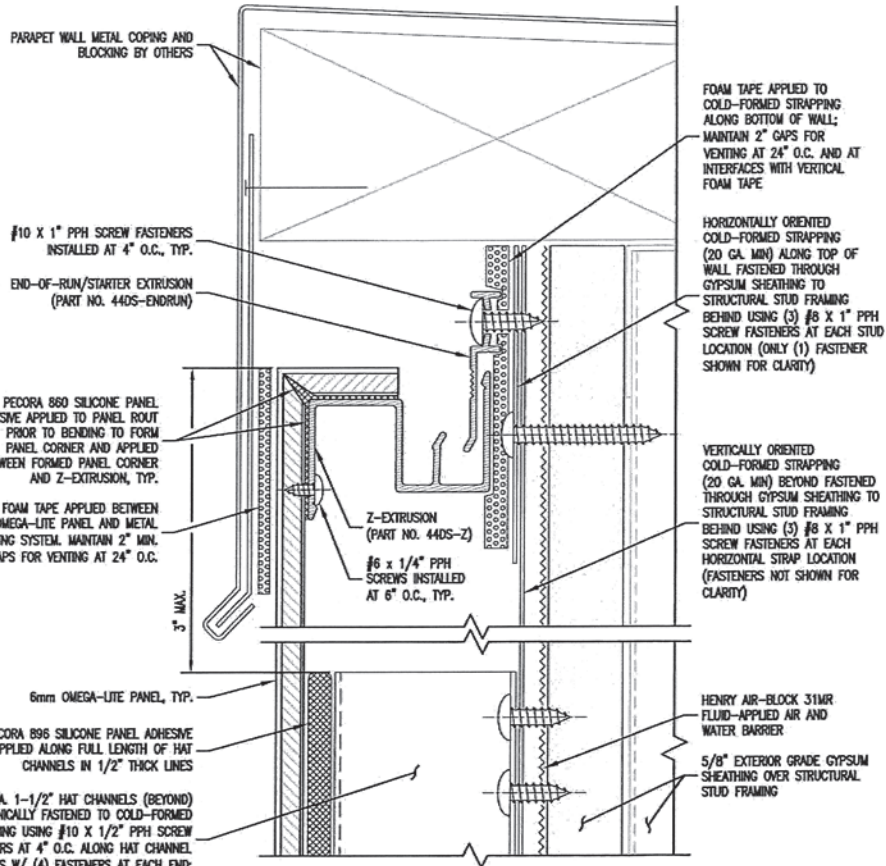


Approved as complying with the Florida Building Code
 Date **08/20/2015**
 NOA# **15-0409.11**
 Miami Dade Product Control
 By *[Signature]*

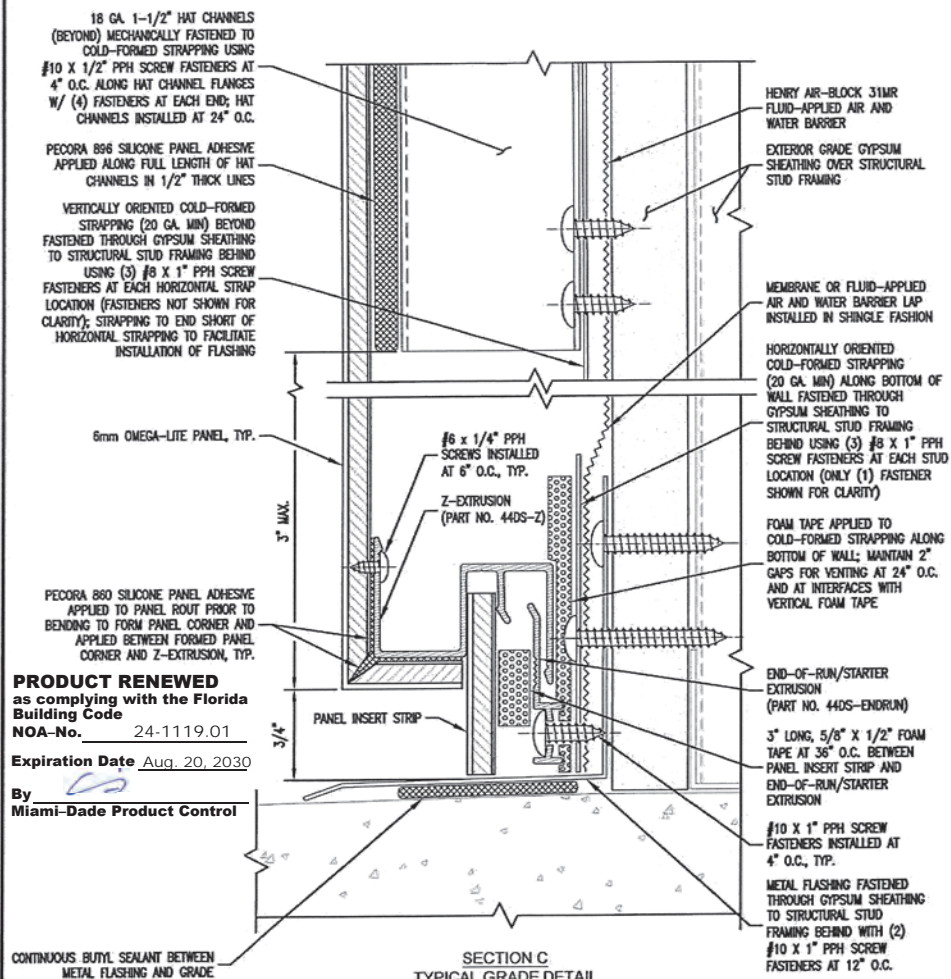
REV. 0: 07/08/2015

File Name: MiamiDade LAM-OL-001

OMEGA-LITE® ACM WALL PANELS DRY SEAL INSTALLATION SYSTEM OVER GYPSUM WITH STRAPPING	
Date: 07/08/2015	Drawn By: JJM
Dwg. No.: LAM-OL-001	Page: 17 OF 21
www.LaminatorsInc.com 877.OMEGA.77	



SECTION B
TYPICAL TOP OF WALL DETAIL



SECTION C
TYPICAL GRADE DETAIL

PRODUCT RENEWED
as complying with the Florida
Building Code
NOA-No. 24-1119.01
Expiration Date Aug. 20, 2030
By [Signature]
Miami-Dade Product Control

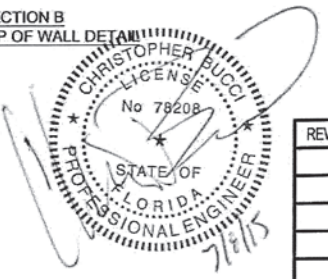
CONTINUOUS BUTYL SEALANT BETWEEN
METAL FLASHING AND GRADE

File Name: MiamiDade LAM-OL-001

PRODUCT REVISED
as complying with the Florida
Building Code
NOA-No. 20-0720.03
Expiration Date 08/20/2025
By [Signature]
Miami-Dade Product Control

NOTE: SPACING SHOWN BETWEEN PANELS AND
SUBSTRATES AND THICKNESS OF SOME PANEL
SYSTEM COMPONENTS EXAGGERATED FOR CLARITY

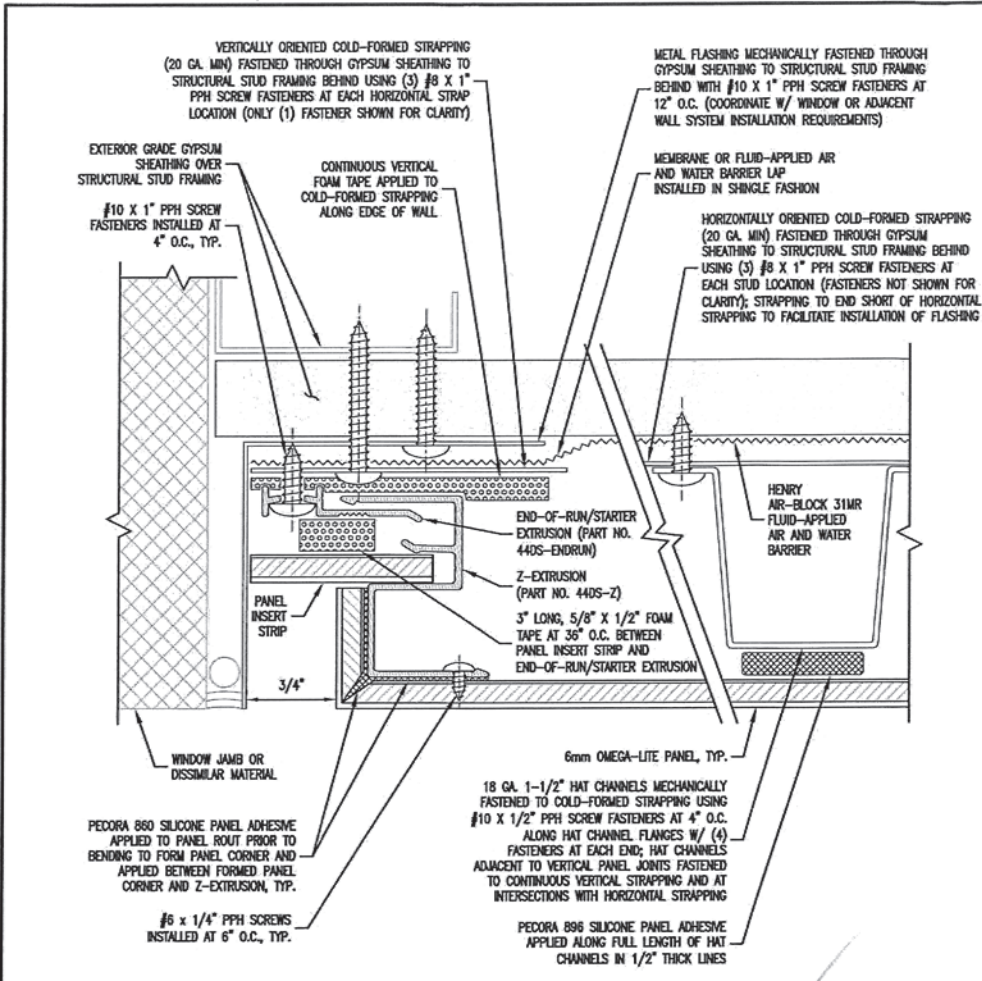
Approved as complying with the
Florida Building Code
Date 08/20/2015
NOA# 15-0409.11
Miami Dade Product Control
By [Signature]



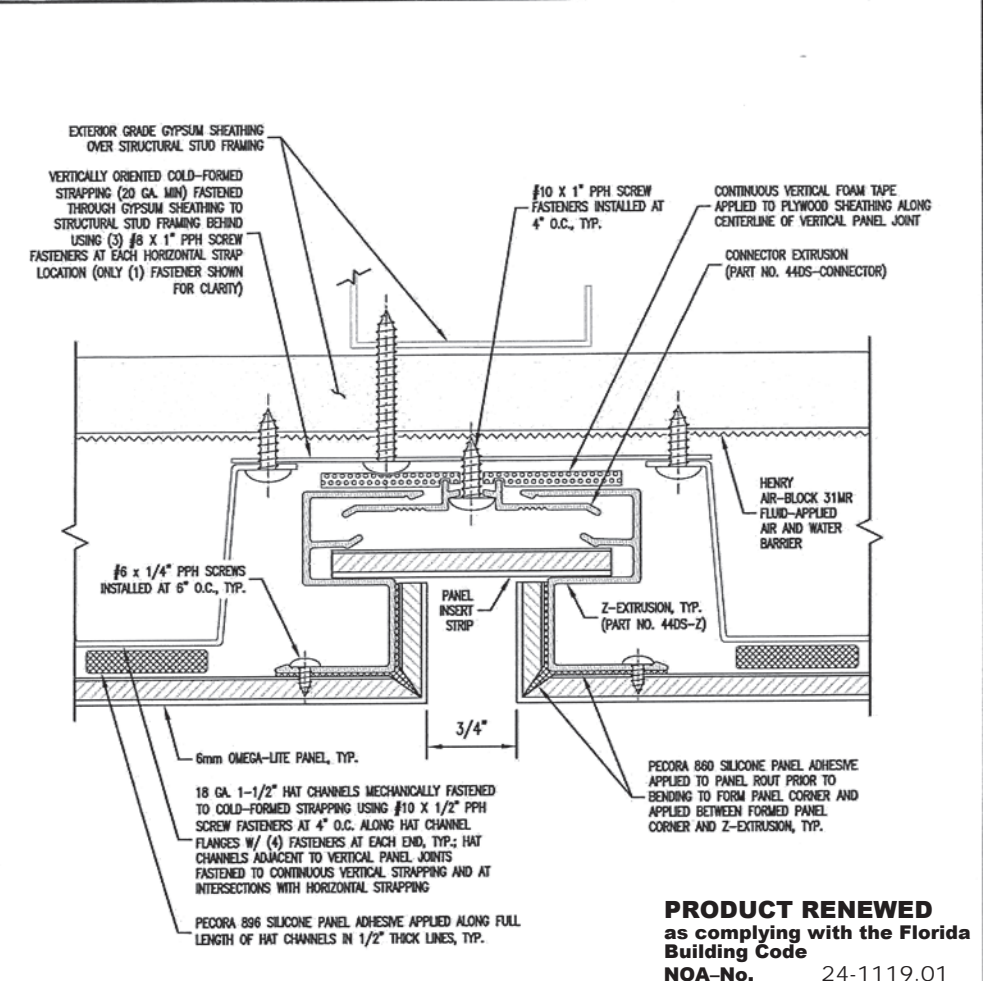
REV. 0: 07/08/2015

OMEGA PANEL PRODUCTS Ω
LAMINATORS INC.
www.LaminatorsInc.com 877.OMEGA.77

OMEGA-LITE® ACM WALL PANELS			
DRY SEAL INSTALLATION SYSTEM OVER GYPSUM WITH STRAPPING			
Date: 07/08/2015	Drawn By: JUM	Dwg. No.: LAM-OL-001	Page: 18 OF 21



SECTION D
TYPICAL END OF RUN DETAIL



SECTION E
TYPICAL HORIZONTAL JOINT DETAIL

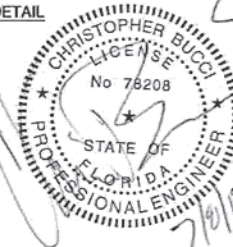
NOTE: HORIZONTAL STRAPPING BEYOND NOT SHOWN FOR CLARITY

File Name: MiamiDade LAM-OL-001

PRODUCT REVISED
as complying with the Florida Building Code
NOA-No. 20-0720.03
Expiration Date 08/20/2025
By [Signature]
Miami-Dade Product Control

NOTE: SPACING SHOWN BETWEEN PANELS AND SUBSTRATES AND THICKNESS OF SOME PANEL SYSTEM COMPONENTS EXAGGERATED FOR CLARITY

Approved as complying with the Florida Building Code
Date 08/20/2015
NOA# 15-0309-11
Miami Dade Product Control
By [Signature]

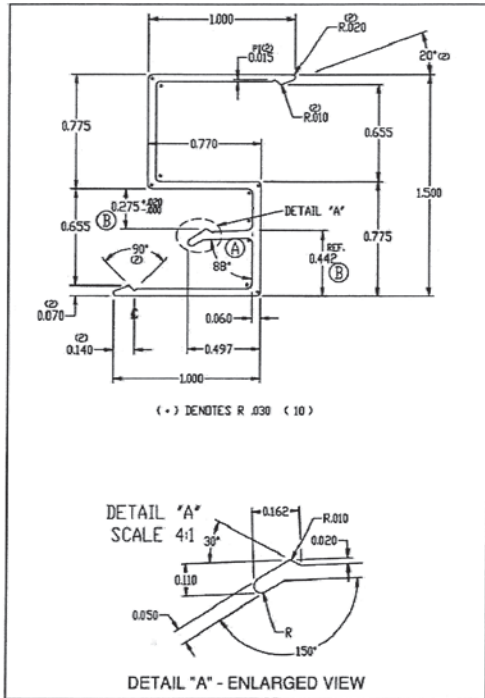


REV: 0: 07/08/2015

OMEGA PANEL PRODUCTS Ω
LAMINATORS INC.
www.LaminatorsInc.com 877.OMEGA.77

OMEGA-LITE® ACM WALL PANELS			
DRY SEAL INSTALLATION SYSTEM OVER GYPSUM WITH STRAPPING			
Date: 07/08/2015	Drawn By: JJM	Dwg. No.: LAM-OL-001	Page: 19 OF 21

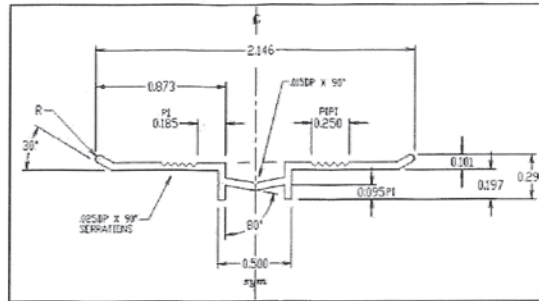
PRODUCT RENEWED
as complying with the Florida Building Code
NOA-No. 24-1119.01
Expiration Date Aug. 20, 2030
By [Signature]
Miami-Dade Product Control



Z-EXTRUSION
PART NO. 44DS-Z
ALUMINUM: 6063-T6

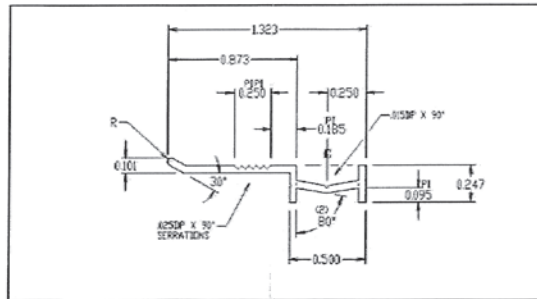
- NOTES:
1. ALL CORNERS .015 RADIUS UNLESS OTHERWISE NOTED
2. UNSPECIFIED WALL THICKNESS .050
3. NOT DRAWN TO SCALE

Approved as complying with the
Florida Building Code
Date 08/20/2015
NOA# 154040711
Miami-Dade Product Control
By [Signature]



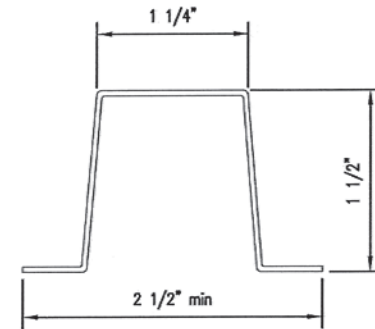
CONNECTOR EXTRUSION
PART NO. 44DS-CONNECTOR
ALUMINUM: 6063-T6

- NOTES:
1. ALL CORNERS .015 RADIUS UNLESS OTHERWISE NOTED
2. UNSPECIFIED WALL THICKNESS .050
3. NOT DRAWN TO SCALE



END-OF-RUN / STARTER EXTRUSION
PART NO. 44DS-ENDRUN
ALUMINUM: 6063-T6

- NOTES:
1. ALL CORNERS .015 RADIUS UNLESS OTHERWISE NOTED
2. UNSPECIFIED WALL THICKNESS .050
3. NOT DRAWN TO SCALE



1 1/2" HAT CHANNEL
SSMA: 150F125-43
STEEL: A653 (G60), $F_{y \min} = 33 \text{ ksi}$

PRODUCT REVISED as complying with the Florida Building Code
NOA-No. 20-0720.03 PRODUCT RENEWED as complying with the Florida Building Code
NOA-No. 24-1119.01

Expiration Date 08/20/2025 Expiration Date Aug. 20, 2030

By [Signature] By [Signature]
Miami-Dade Product Control Miami-Dade Product Control

REV_0: 07/08/2015

File Name: MiamiDade LAM-OL-001



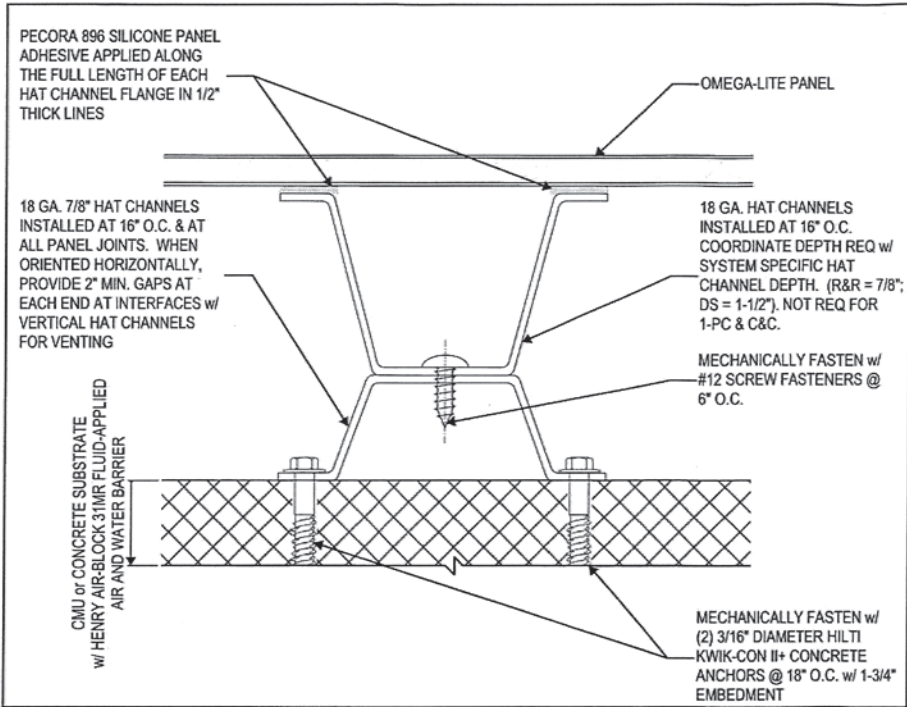
www.LaminatorsInc.com

877.OMEGA.77

OMEGA-LITE® ACM WALL PANELS

DRY SEAL INSTALLATION SYSTEM
OVER GYPSUM WITH STRAPPING

Date: 07/08/2015	Drawn By: JJM	Dwg. No.: LAM-OL-001	Page: 20 OF 21
---------------------	------------------	-------------------------	-------------------



SECTION VIEW

Approved as complying with the Florida Building Code
 Date 08/20/2015
 NOAR 15-2007-11
 Miami Dade Product Control
 By [Signature]



PRODUCT REVISED
 as complying with the Florida Building Code
 NOA-No. 20-0720.03

PRODUCT RENEWED
 as complying with the Florida Building Code
 NOA-No. 24-1119.01

Expiration Date 08/20/2025 Expiration Date Aug. 20, 2030

By [Signature] By [Signature]
 Miami-Dade Product Control Miami-Dade Product Control

REV. 07/08/2015	File Name: MiamiDade_LAM-OL-001	OMEGA-LITE® ACM WALL PANELS	
		CMU AND CONCRETE SUBSTRATE FURRING REQ'D FOR INSTALLATION OF 1PTF, C&C, R&R, AND DRY SEAL	
		Date: 07/08/2015	Page: 21 OF 21
		Drawn By: JIM	
		Dwg. No.: LAM-OL-001	
		www.LaminatorsInc.com 877.OMEGA.77	

